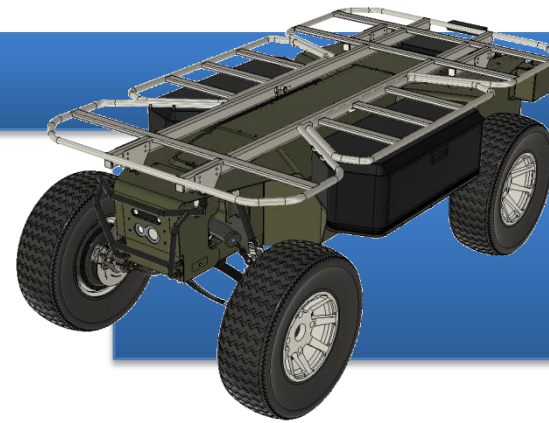


## ELECTRIC UNMANNED GROUND VEHICLE



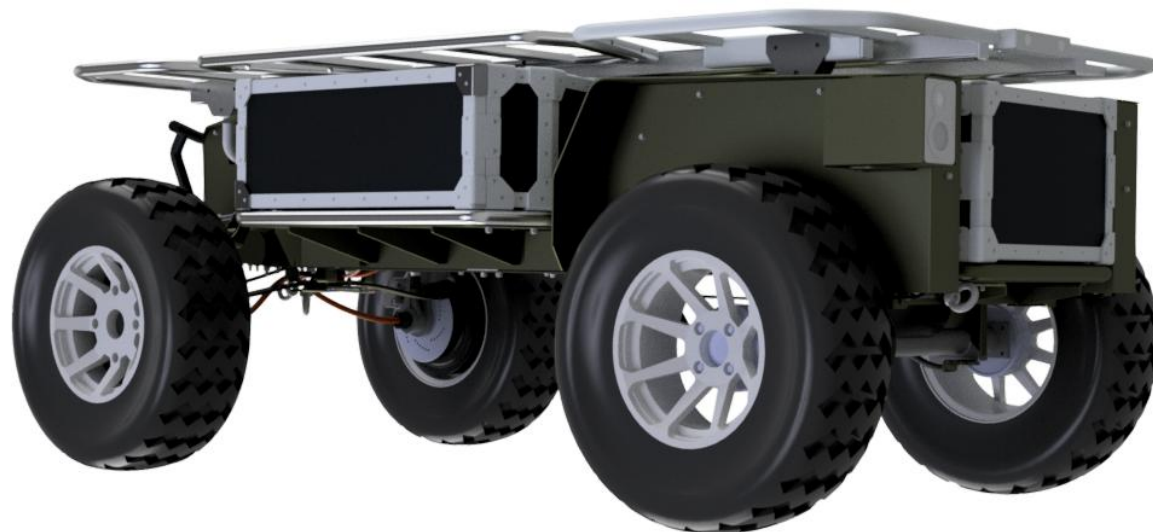
# HIGHLAND500

The **HIGHLAND-500** platform is an electric unmanned ground vehicle with excellent maneuverability, a lot of space storage and high precision steering.

The **HIGHLAND-500** is versatile due to its features and capabilities, allowing it to effectively fulfill various roles such as logistics support, patrol duties, and guarding missions. Its design incorporates durability, agility, ample storage space, and communication systems, making it suitable for various operational scenarios.

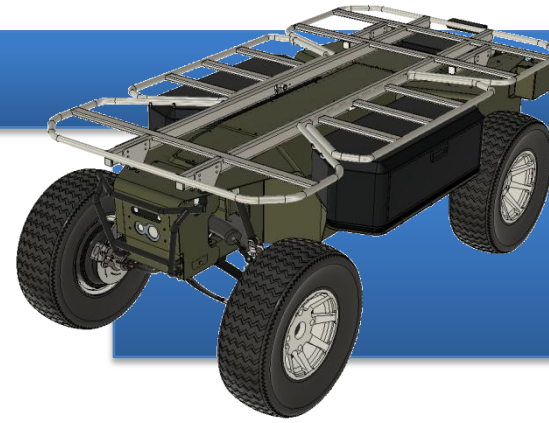
### FEATURES & SPECIFICATIONS:

- +500Kg payload
- Embedded Digital Remote Control
- Light Weight Flexible Chassis
- Superior Maneuverability
- 2WD or 4WD options
- 22" or 27" Off-Road Tires
- Front & Rear FUSION Driving Cameras

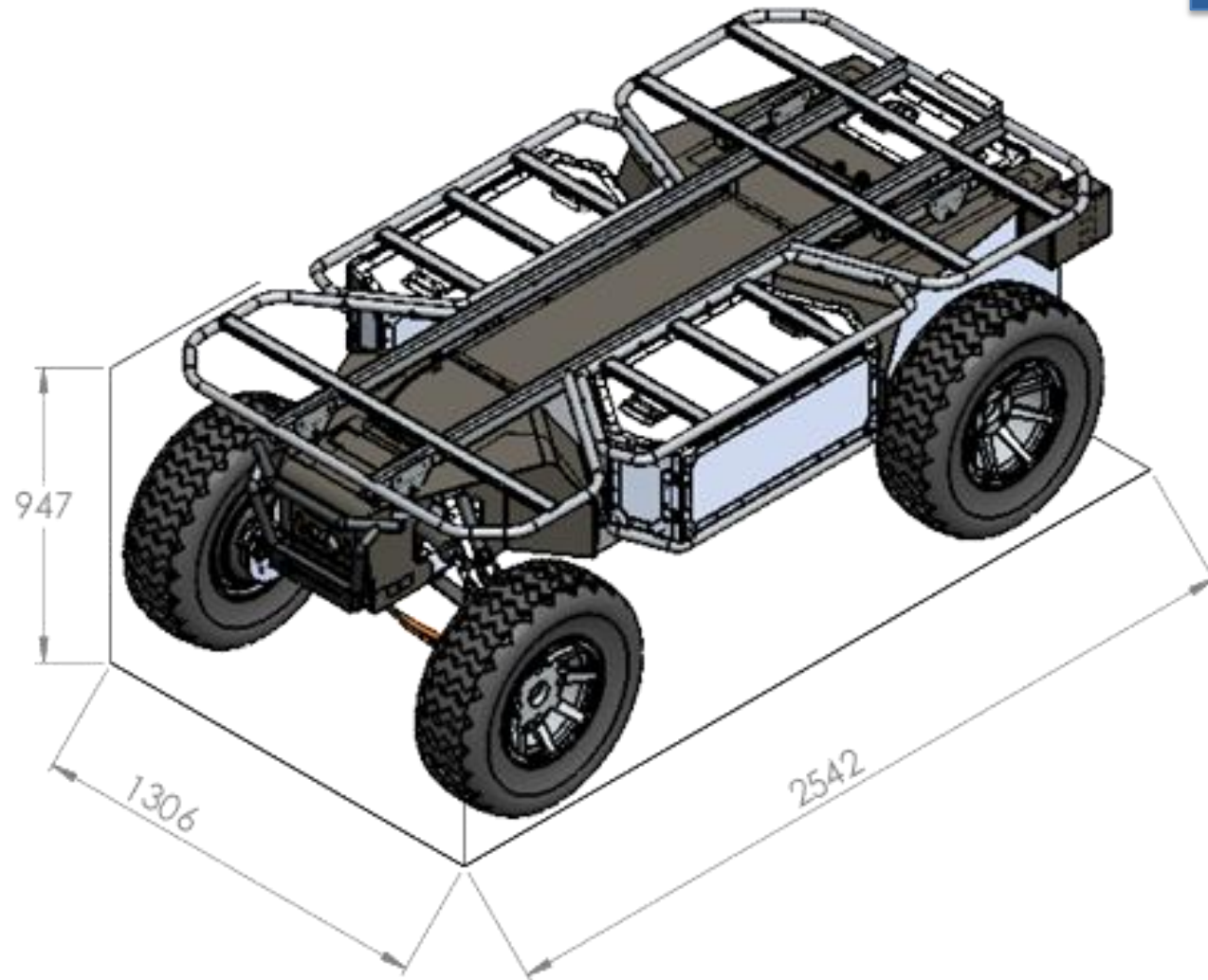


# ELECTIC UNMANNED GROUND VEHICLE

## SPECIFICATIONS



# HIGHLAND500

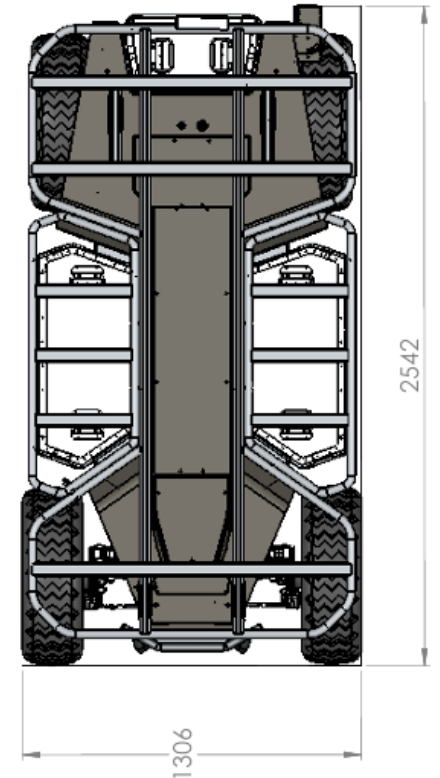


### SIZE & WEIGHT

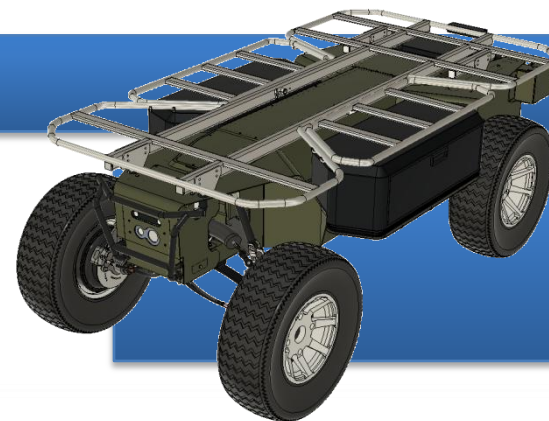
EXTERNAL DIMENSIONS (L x W x H)	2542 x 1306 x 947 mm
SELF WEIGHT	Kg
MAX PAYLOAD	500 Kg
GROUND CLEARANCE	330 mm

### SPEED AND PERFORMANCE

MAX. SPEED	40 Km/h
SUSPENSION	Flexible Suspension
TIRES (inch)	27-9-R14 Off-Road Tires
BATTERY	7KW Lithium Battery



# ELECTIC UNMANNED GROUND VEHICLE



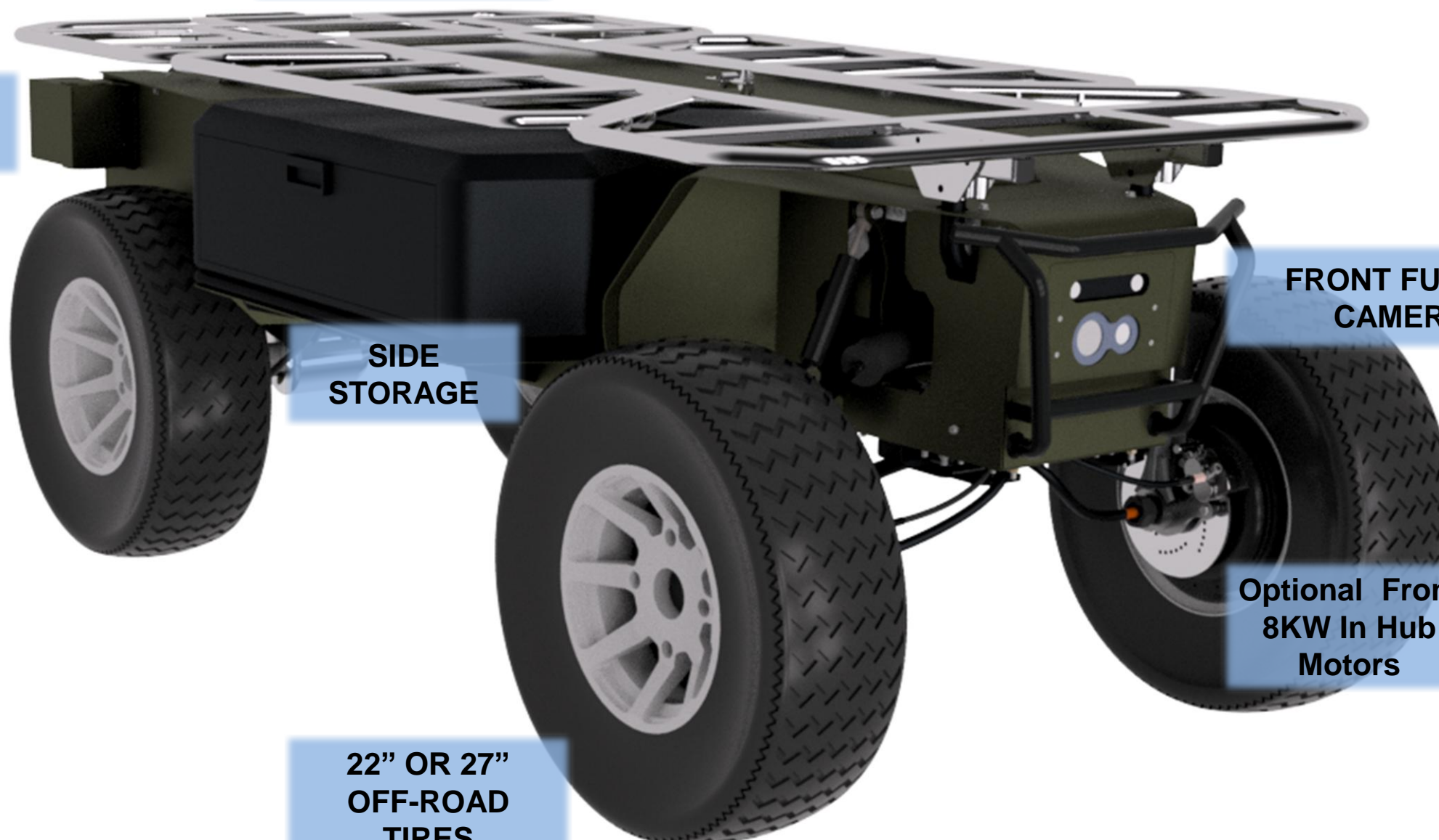
# HIGHLAND500

## MAIN PARTS

### FRONT SIDE

PAYLOAD PALLET

REAR FUSION  
CAMERA



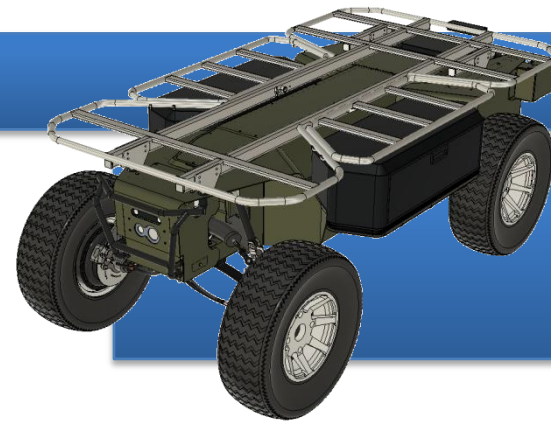
FRONT FUSION  
CAMERA

SIDE  
STORAGE

Optional Front  
8KW In Hub  
Motors

22" OR 27"  
OFF-ROAD  
TIRES

# ELECTIC UNMANNED GROUND VEHICLE



# HIGHLAND500

## MAIN PARTS

## REAR SIDE

