



Ex-Sight.Com

O N E S H O T

EO PAYLOADS CATALOG 2025



EOPAYLOADS

THE NEXT LEVEL TECHNOLOGY IN MARITIME
ELECTRO-OPTICS

 **Ex-Sight.Com**
O N E S H O T


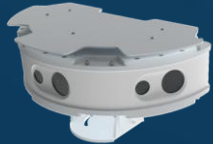


SASERIES

360 PANORAMIC DAY & NIGHT SITUATIONAL AWARENESS





	 SA360	 SA180
DAY	SIX (6) 1920x1080 Full HD 30 FPS SAPPHIRE Window	THREE (3) 1920x1080 Full HD 30 FPS SAPPHIRE Window
LWIR	SIX (6) 1280x1024 or 640x512 12µm 30 FPS Germanium Window	THREE (3) 1280x1024 or 640x512 12µm 30 FPS Germanium Window
PRACTICAL FOV	420° Deg. 6 x 70° FOV (H) 360° (V) 46°	210° Deg. 3 x 70° FOV (H) 210° (V) 46°
POWER	2A@24VDC (9-40VDC)	1A@24VDC (9-40VDC)
DIMENSIONS (mm)	470x470x185	483x120x237
ETHERNET SWITCH	Gigabit Ethernet Switch 10/100/1000T	
CONNECTOR	Single Stainless Steel D38999/23YD35PN	
WEIGHT (Kg)	30 kg	16 kg
IP RATE	IP67 Nitrogen Purged	



SA360

360° REAL-TIME SITUATIONAL AWARENESS SYSTEM

SA-360 is a constant naval guard, real time object detection video analyzer which helps reading and understanding risks, based on real time video data from multiple sources and sensors.

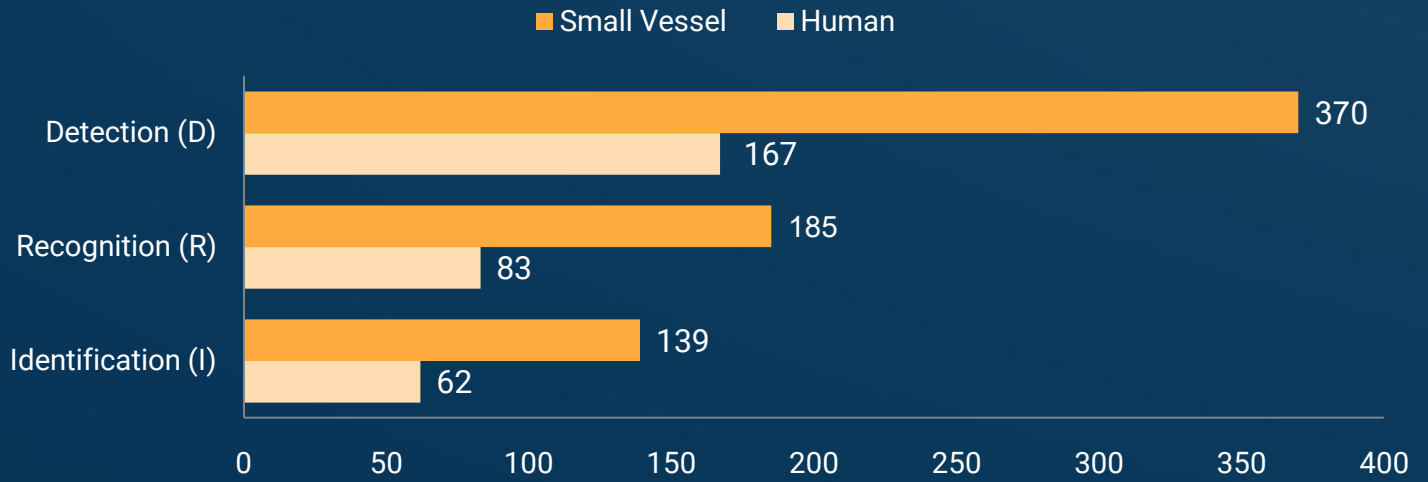
The system detects, tracks, and classifies targets.



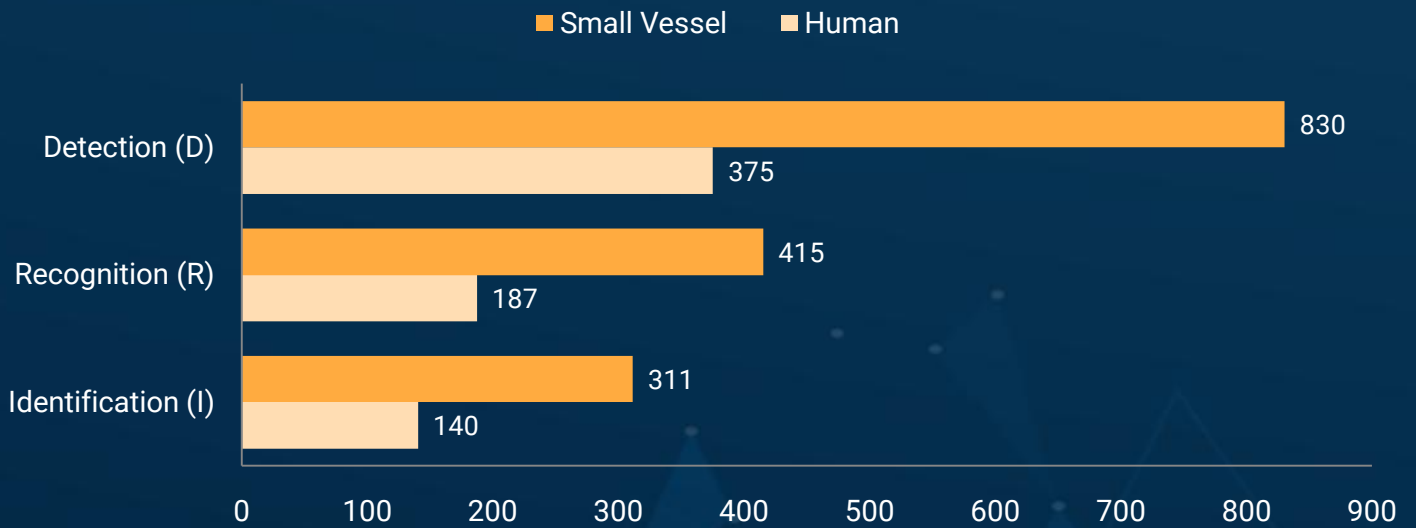
360° REAL-TIME SITUATIONAL AWARENESS SYSTEM

- Day & Night target recognition, detect static and dynamic targets
- Ethernet connectivity, modular architecture, single cable connection
- Real-Time six 1920x1080 Full-HD Day low light sensors 70 Deg FOV, Sapphire window
- Real time six 1280x1024 or 640x512 LWIR (Thermal) sensors 70 Deg FOV with Germanium window
- Optional Distance estimation using EO and TI sensors
- Optional Visual RADAR view
- Optional True North INS GPS
- Optional AIxNPU Embedded object detection & classification
- IP-67 Hermetic sealed chassis, Nitrogen purged, MIL.STD Hermetic connectors
- Operating temp -40°C to +80°C
- **Dimensions (LxWxH,mm)** 470x470x185
- **WEIGHT** 30 kg

SA360-640-5,8mm LWIR DRI (m)



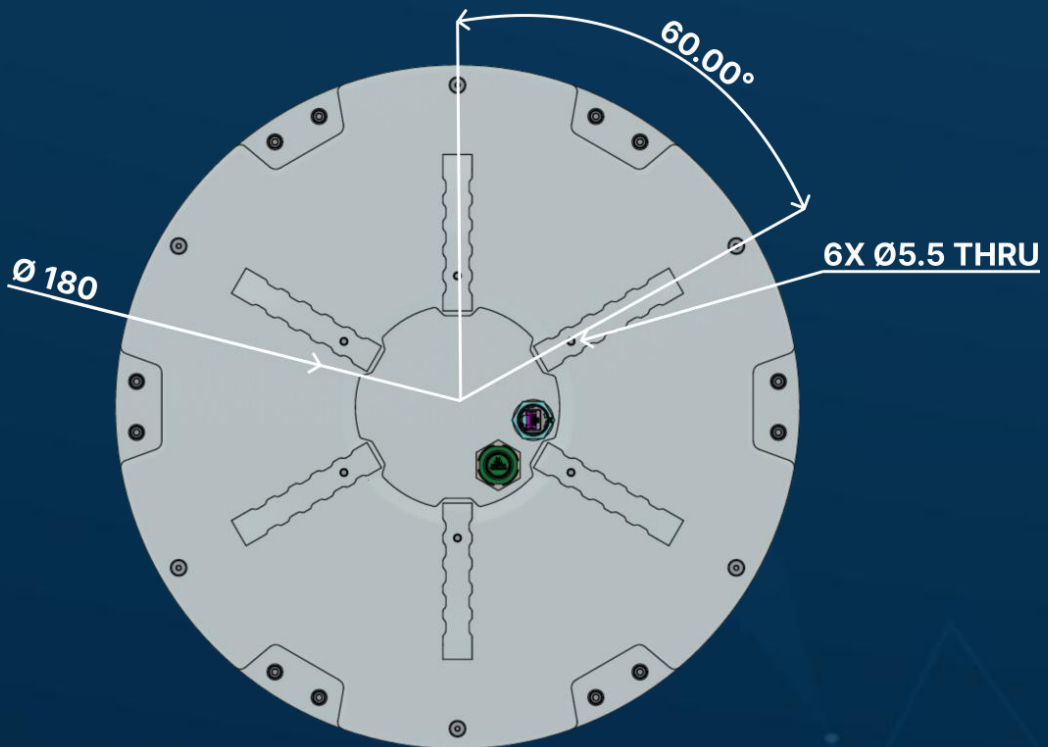
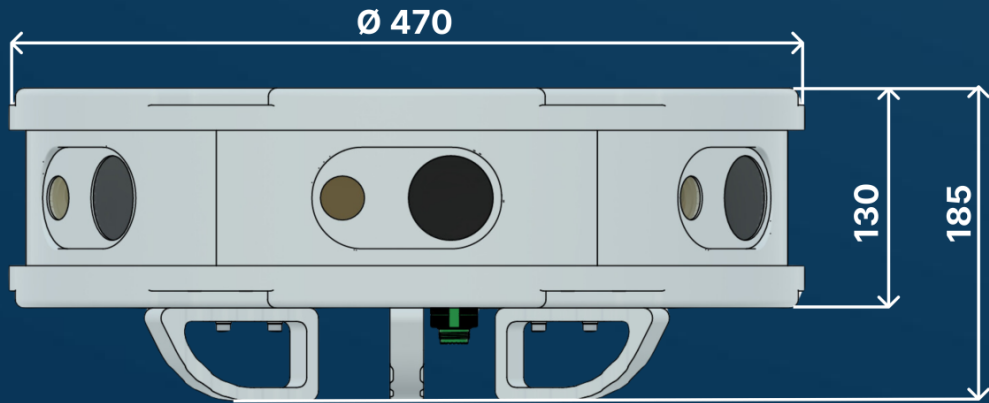
SA360-1280-13mm LWIR DRI (m)



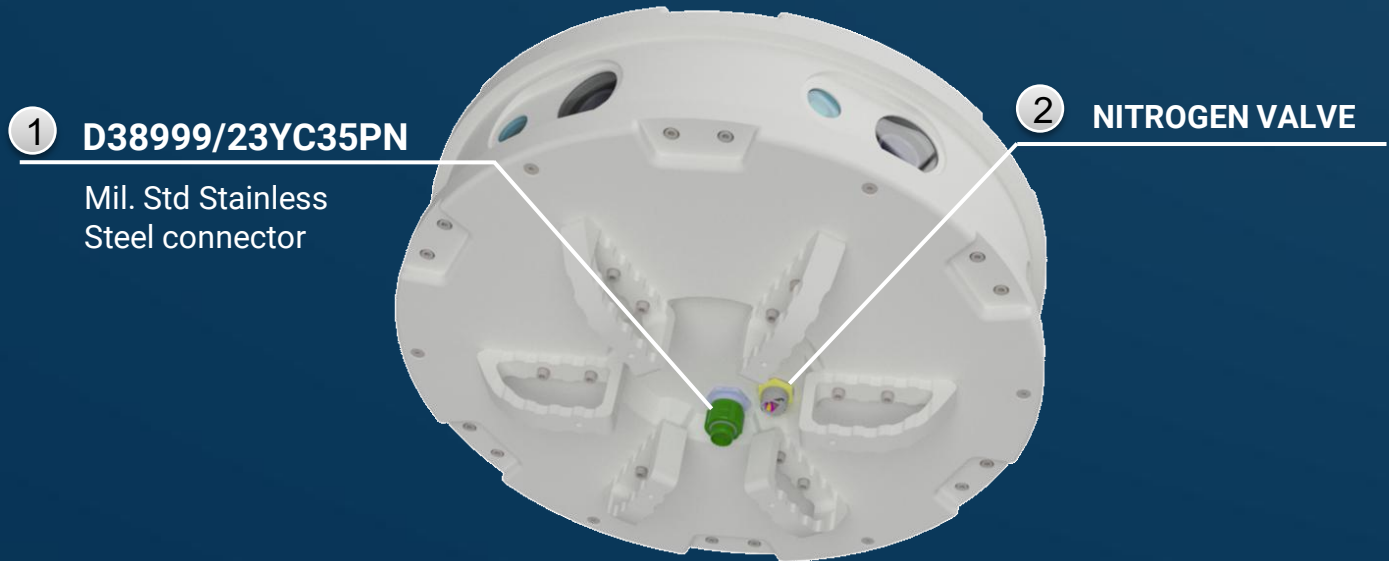
SA360

DIMENSIONS (LxWxH, mm) 470x470x185

WEIGHT 30 kg



CONNECTION INTERFACE



PANEL PIN LAYOUT

D38999/23YD35PN Stainless Steel Hermetic Connector

PIN	DESCRIPTION	
1	Main ETH 1 (White Orange)	Giga Ethernet Port to Switch
2	Main ETH 2 (Orange)	
3	Main ETH 3 (White Green)	
4	Main ETH 4 (Blue)	
5	Main ETH 5 (White Blue)	
6	Main ETH 6 (Green)	
7	Main ETH 7 (White Brown)	
8	Main ETH 8 (Brown)	
9	NC	Not Connected
10	NC	
11	+POWER INPUT VDC	

PIN	DESCRIPTION	
12	GND	
13	+POWER INPUT VDC Backup	
14	GND Backup	
15	CHAIN ETH 1 (White Orange)	Giga Ethernet to Chained Sensor
16	CHAIN ETH 2 (Orange)	
17	CHAIN ETH 3 (White Green)	
18	CHAIN ETH 4 (Blue)	
19	CHAIN ETH 5 (White Blue)	
20	CHAIN ETH 6 (Green)	
21	CHAIN ETH 7 (White Brown)	
22	CHAIN ETH 8 (Brown)	
23-37	NC	Not Connected

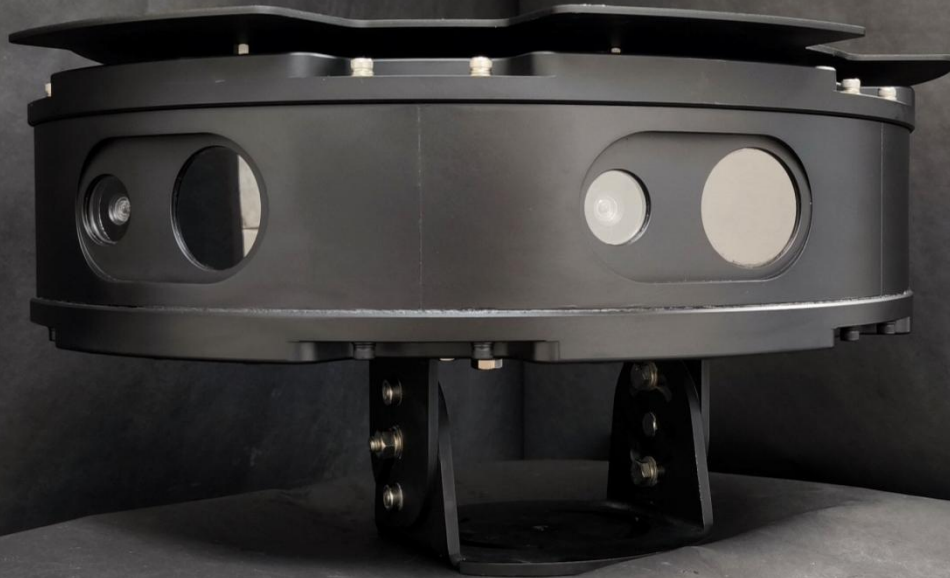


SA180

180° REAL-TIME SITUATIONAL AWARENESS SYSTEM

SA-180 is a constant naval guard, real time object detection video analyzer which helps reading and understanding risks, based on real time video data from multiple sources and sensors.

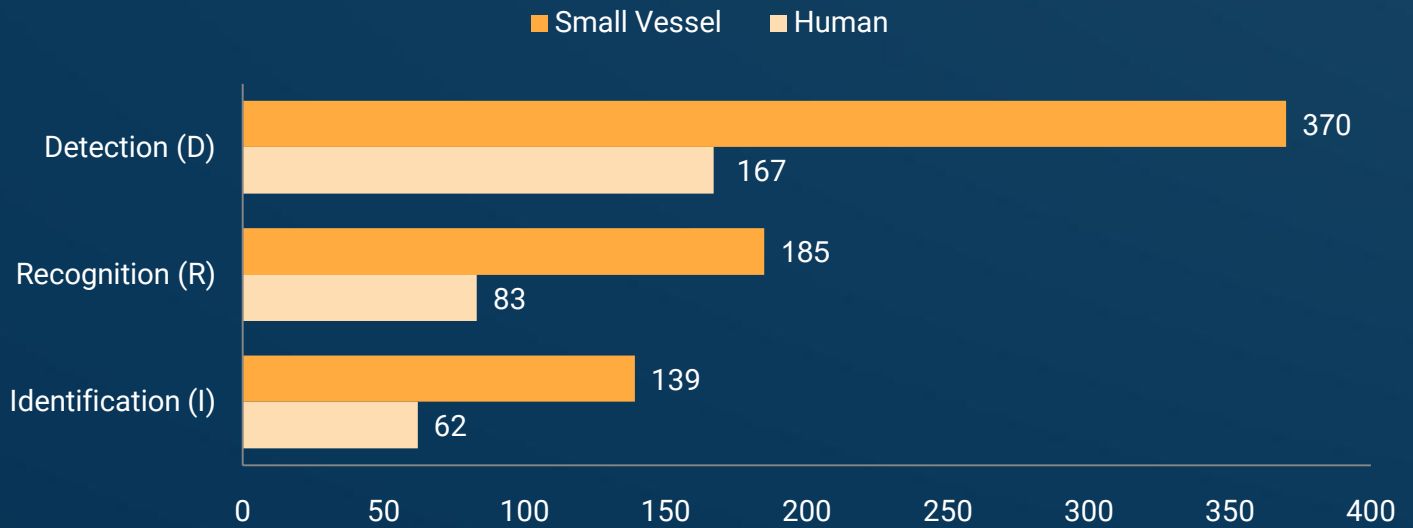
The system detects, tracks, and classifies targets.



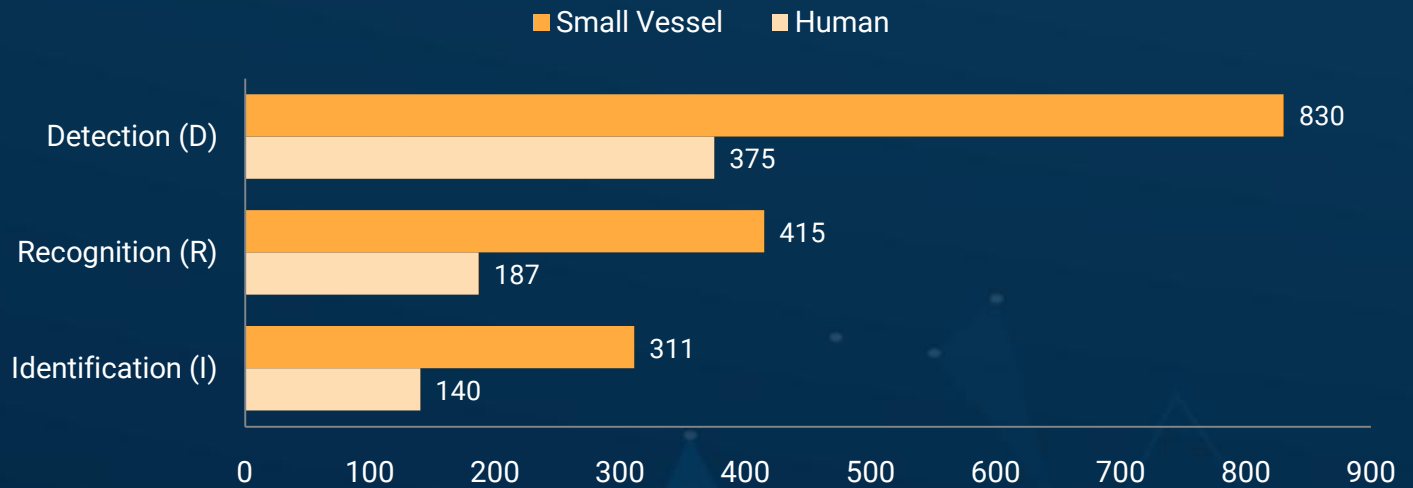
180° REAL-TIME SITUATIONAL AWARENESS SYSTEM

- Day & Night target recognition, detect static and dynamic targets
- Ethernet connectivity, modular architecture, single cable connection
- Real time three 1920x1080 Full-HD low light sensors 70 Deg FOV, Sapphire window
- Real time three 1280x1024 / 640x512 LWIR (Thermal) sensors 70 Deg FOV with Germanium window
- Optional True North INS GPS
- Optional AIxNPU Embedded object detection & classification
- Optional Distance estimation using EO and TI sensors
- Optional Visual RADAR view
- IP-67 Hermetic sealed chassis, Nitrogen purged, MIL.STD Hermetic connectors
- Power Consumption @24V – 0.86A
- Operating temp -40°C to +80°C
- **Dimensions (LxWxH, mm)** 483x120x237
- **Weight (kg)** 16 (1280)/15 (640) (include bracket + sun shield cover)

SA180-640-5,8mm LWIR DRI (m)



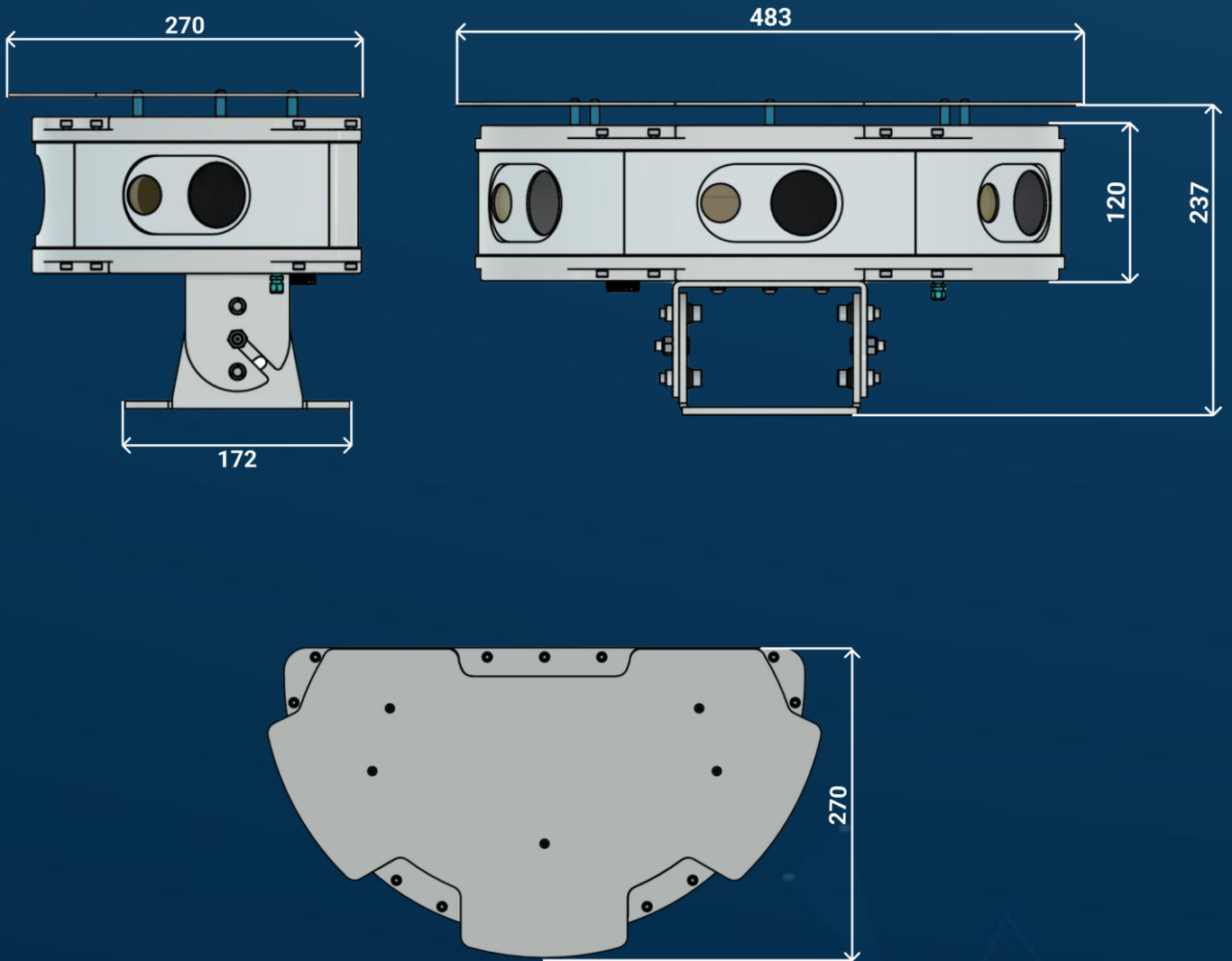
SA180-1280-13mm LWIR DRI (m)



SA180

DIMENSIONS (LxWxH, mm) 483x120x237 (include bracket + sun cover)

WEIGHT 15 kg /640; 16KG /1280



CONNECTION INTERFACE

2 NITROGEN VALVE

1 D38999/23YC35PN

Mil. Std Stainless Steel connector



PANEL PIN LAYOUT

D38999/23YD35PN Stainless Steel Hermetic Connector

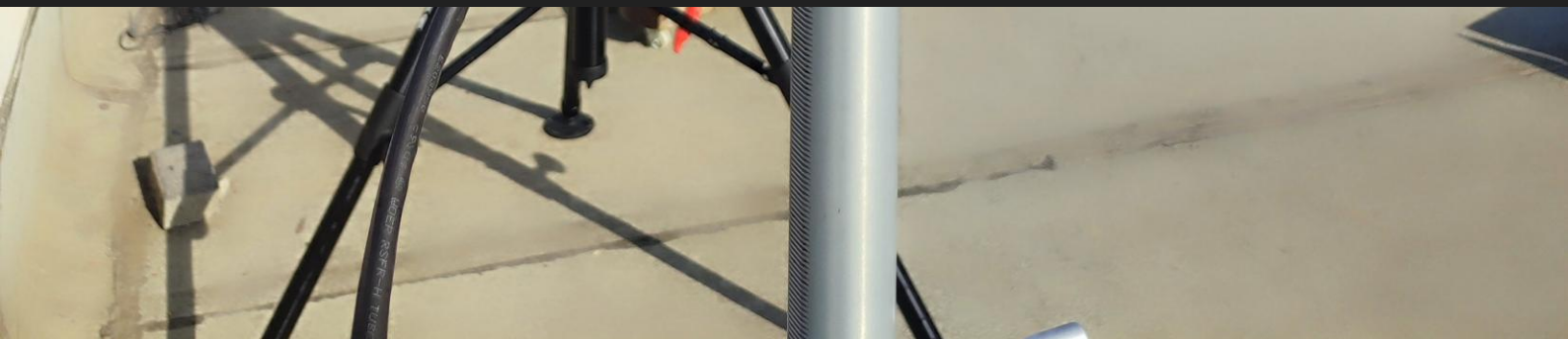
PIN	DESCRIPTION	
1	Main ETH 1 (White Orange)	Giga Ethernet Port to Switch
2	Main ETH 2 (Orange)	
3	Main ETH 3 (White Green)	
4	Main ETH 4 (Blue)	
5	Main ETH 5 (White Blue)	
6	Main ETH 6 (Green)	
7	Main ETH 7 (White Brown)	
8	Main ETH 8 (Brown)	
9	NC	Not Connected
10	NC	
11	+POWER INPUT VDC	

PIN	DESCRIPTION	
12	GND	
13	+POWER INPUT VDC Backup	
14	GND Backup	
15	CHAIN ETH 1 (White Orange)	Giga Ethernet to Chained Sensor
16	CHAIN ETH 2 (Orange)	
17	CHAIN ETH 3 (White Green)	
18	CHAIN ETH 4 (Blue)	
19	CHAIN ETH 5 (White Blue)	
20	CHAIN ETH 6 (Green)	
21	CHAIN ETH 7 (White Brown)	
22	CHAIN ETH 8 (Brown)	
23-37	NC	Not Connected

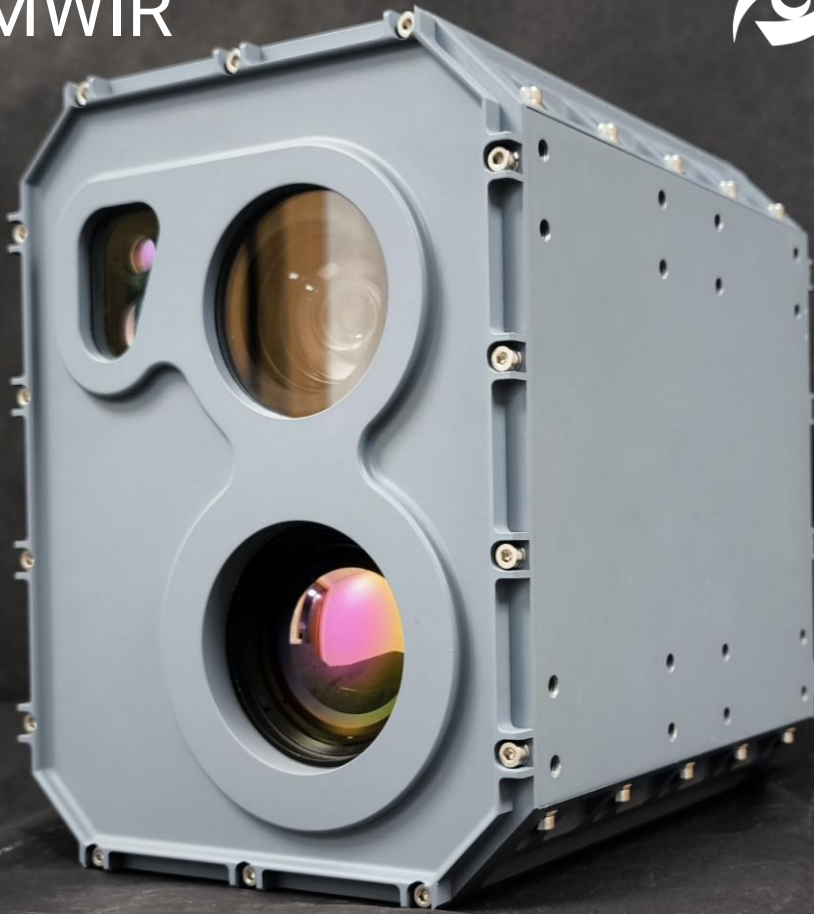


SIGHTSERIES

COMPACT, SUPER SENSITIVE MULTI SENSOR VISION SYSTEM



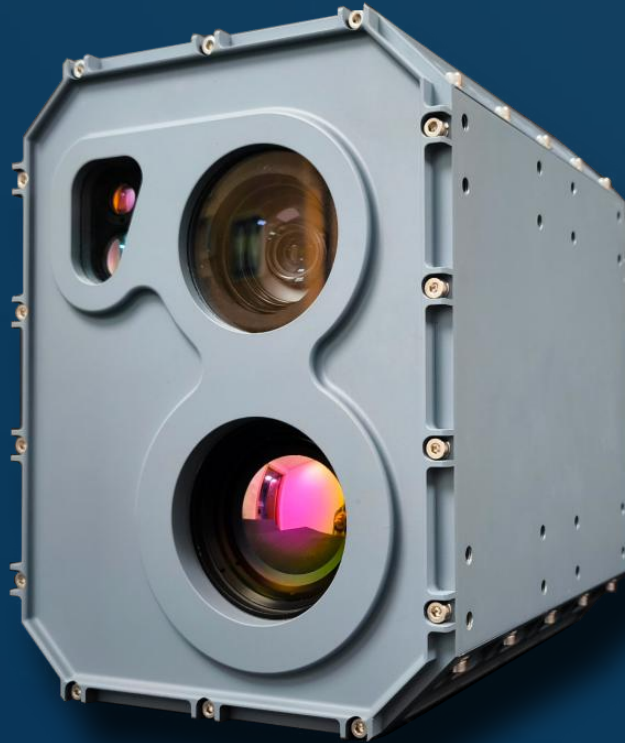
				
	MWIR15-250	LWIR 25-225	LWIR 25-150	LWIR 20-100
DAY SENSOR	Global Shutter 60FPS 1600x1300 X36 Zoom 4,5mm-162mm FOV 59,0° to 2,4°	Full HD 30 FPS 1920x1080 x92 Zoom 6,1mm-561mm FOV 65,5° to 0,78°	Global Shutter 60FPS 1600x1300 X36 Zoom 4,5mm-162mm FOV 59,0° to 2,4°	Global Shutter 60FPS 1600x1300 X36 Zoom 4,5mm-162mm FOV 59,0° to 2,4°
NIGHT SENSOR	COOLED MWIR x16,6 Zoom 15-250 mm FOV 35,5° to 2,2°	LWIR 1280x1024 X10,2 Zoom 25-225mm FOV 34,2° to 3,9°	LWIR 640x512 x6 Zoom 25-150mm FOV 17,5° to 2,93°	LWIR 640x512 x5 Zoom 20-100mm FOV 22,5° to 4,4°
LWIR DRI				
DETECTION (m) Human/NATO target	8,660/14,500	6,495/14,375	4,300/9,583	2,886/6,388
RECOGNITION (m) Human/NATO target	4,330/9,583	3,247/7,187	2,165/4,791	1,443/3,194
IDENTIFICATION (m) Human/NATO target	3,247/7,187	2,435/5,390	1,623/3,593	1,082/2,395
LRF	up to 8,6KM NATO Target	up to 12KM NATO Target	up to 8,6KM NATO Target	up to 8KM NATO Target
POWER	12-40 VDC 120W Max. MIL.STD704, MIL.STD810G POWER STABILIZER			
DIMENSIONS (mm)	250x190x240	352x275x360	290x190x264	250x190x255
INTERFACE	ETHERNET INTERFACE			
CONNECTOR	Hermetic Stainless Steel D38999/23YC35PN			
WEIGHT (Kg)	9 kg	20 kg	9 kg	9 kg
IP RATE	IP67 Nitrogen Purged			



SIGHTMWIR

COOLED MWIR Sight System

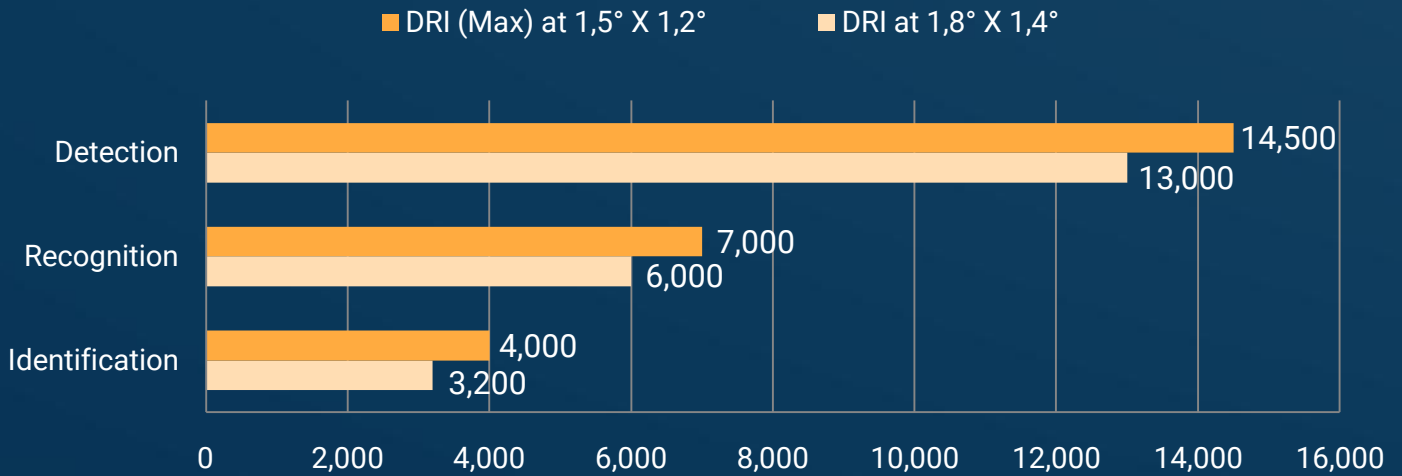
- Day x36 60 FPS 1600x1300 Global Shutter
- Night MWIR 15-250mm 640x512 pixels
- LRF 8.6Km NATO Target
- Ethernet & Analog Interfaces
- IP-67 Nitrogen Purged Marine Grade Chassis



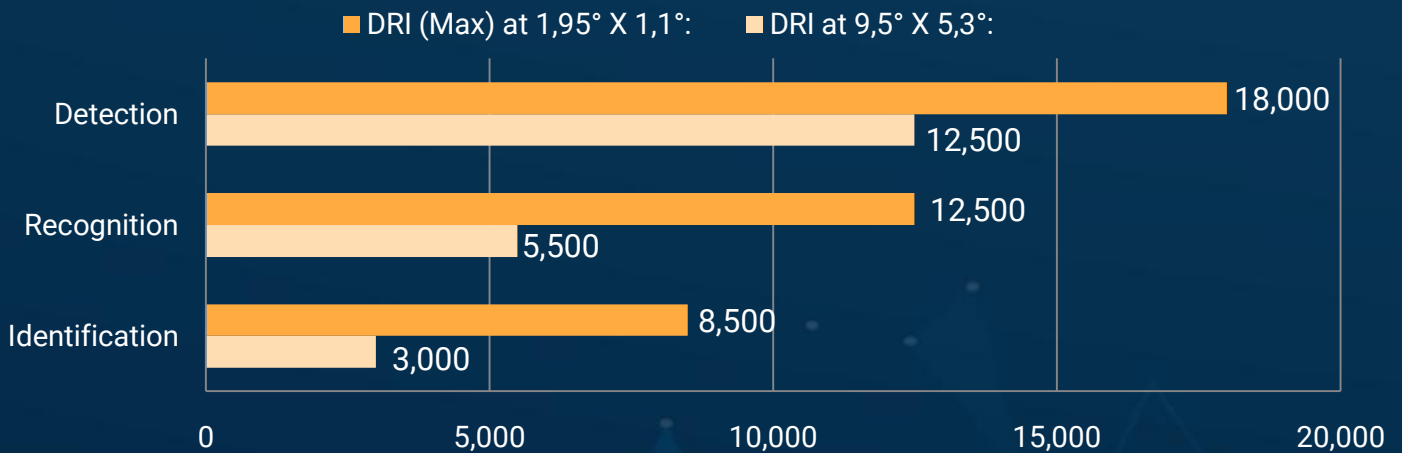
COOLED MWIR SIGHT SYSTEM

- Automatic target recognition, automatically track and detect static and dynamic targets
- Ethernet connectivity, modular architecture, single cable connection
- 60 FPS Global Shutter x36 Zoom 1600x1300 sensor FOV 59.0° to 2.4° FOV, Sapphire window
- SPARROW MWIR COOLED x16.6 Zoom sensor, Lens 15-250 mm 35.5° to 2.2° FOV
- LRF 32Km, 8.6 km NATO target, 0.5-0.01m precision, 0.6 MRAD beam divergence 1m resolution
- PSU 12-40 VDC 120W Max. MIL.STD1275, MIL.STD704, MIL.STD810G POWER STABILIZER
- IP-67 nitrogen purged, hermetic sealed, aluminum chassis, stainless steel screws, ground pin connector
- **Dimensions (LxWxH, mm)** 250x190x240
- **Weight** 9 Kg

SIGHTMWIR NIGHT DRI (m)



SIGHTMWIR DAY DRI (m)



SYSTEM OVERVIEW

DAY ZOOM SENSOR

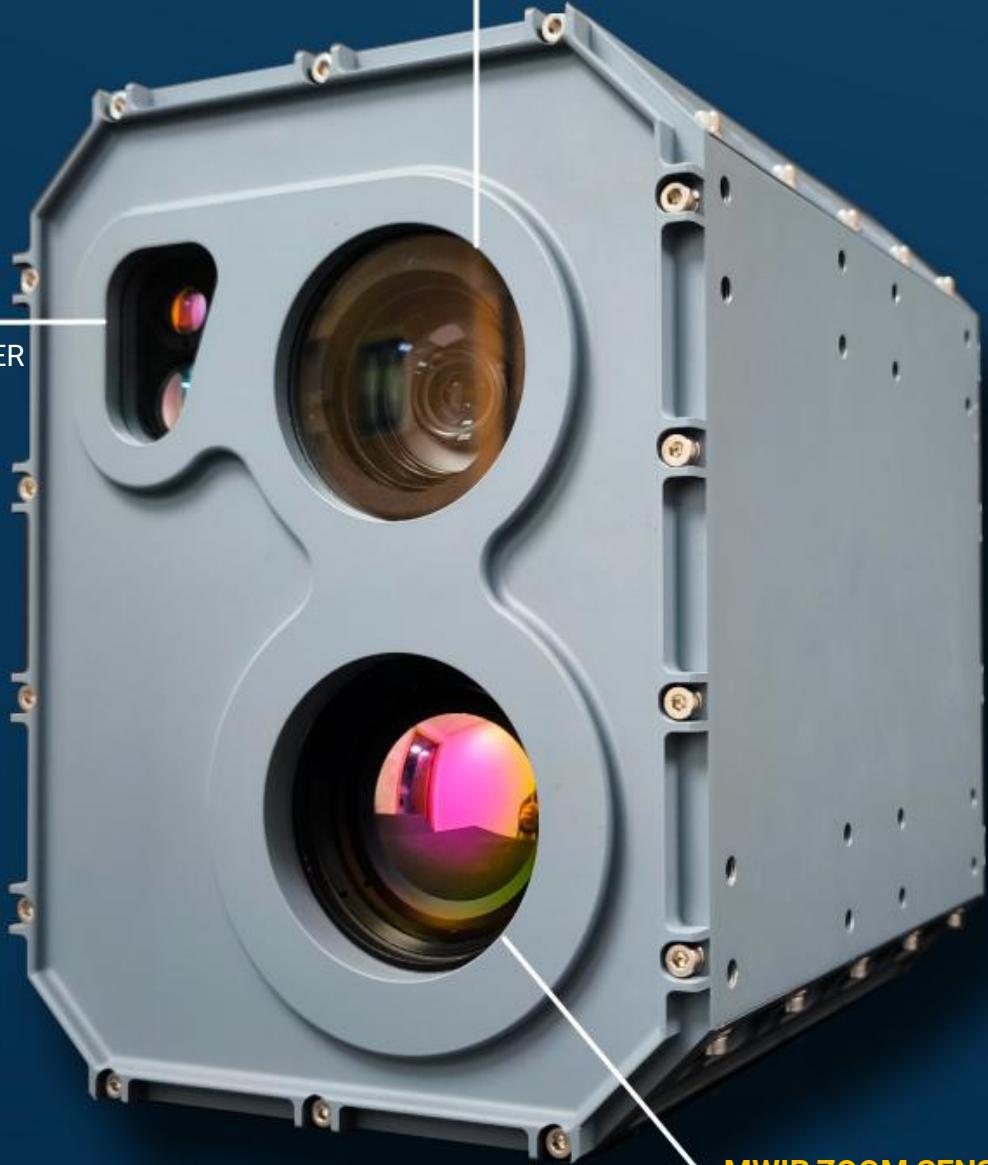
GLOBAL SHUTTER 60FPS
1600x1300
x36 ZOOM
4,5mm -162mm
SAPPHIRE WINDOW

LRF

LASER RANGE FINDER
Up to 8,6KM
NATO Target
SAPPHIRE WINDOW

MWIR ZOOM SENSOR

COOLED MWIR
X16,6 ZOOM
SPARROW 15-250mm

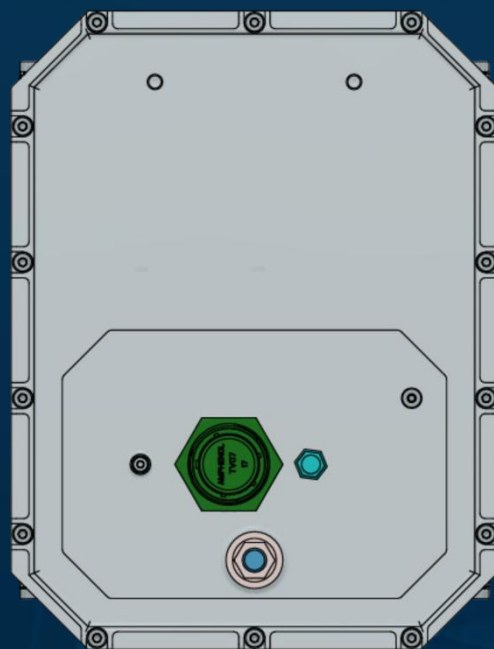
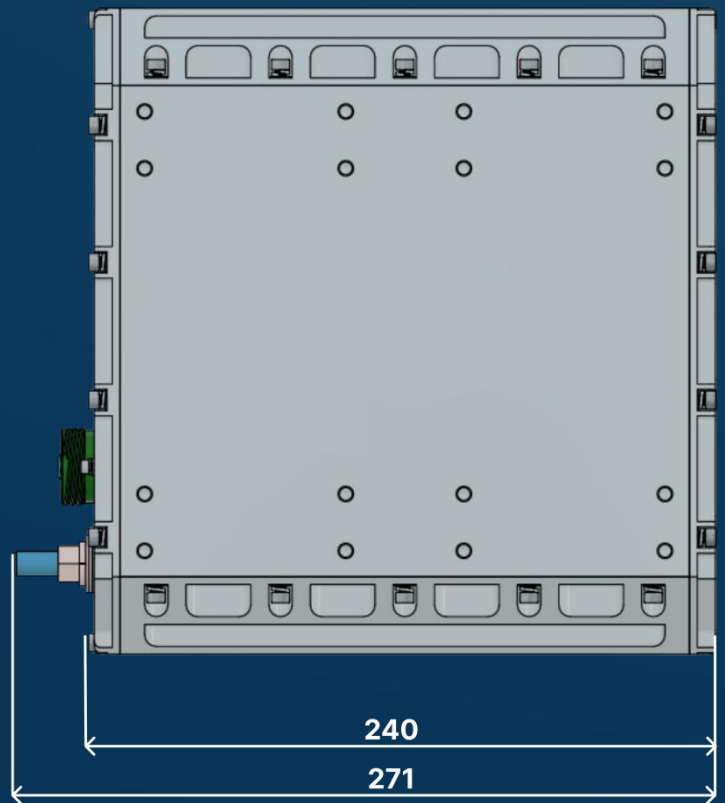
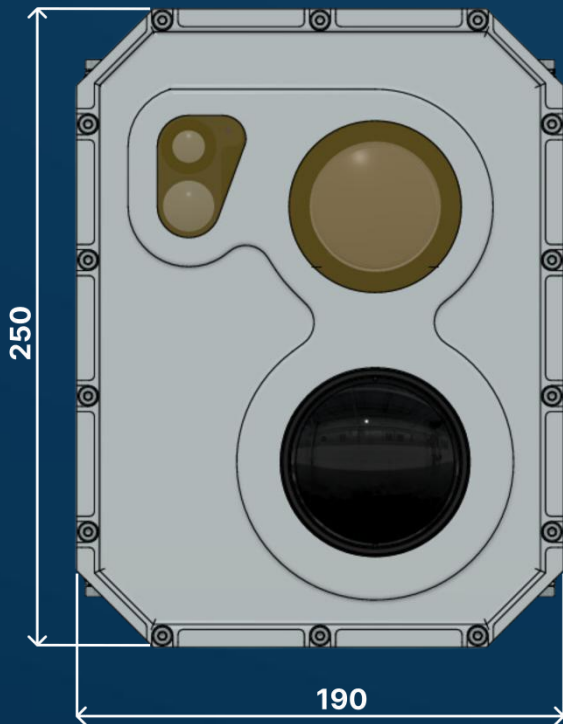


- EX-SIGHT APPLICATION, SDK OPEN SOURCE C#
- ETHERNET & ANALOG INTERFACE
- IP-67 NITROGEN PURGED

SIGHTMWIR

DIMENSIONS (LxWxH, mm) 250x190x240

WEIGHT 9 kg





SIGHTLWIR

SUPERIOR MULTI SENSOR UNCOOLED VISION SYSTEMS

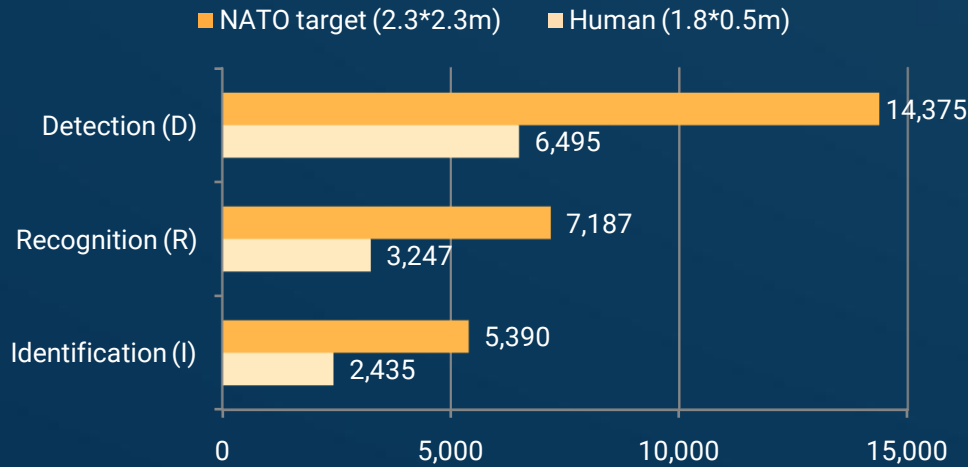


SIGHT25-225

MULTI SENSOR LWIR SIGHT UNCOOLED VISION SYSTEMS

- DAY 1920x1080 x92 ZOOM
- 4K DAY 90° SCENE CAMERA
- LWIR 1280x1024 x9 Zoom 25-225mm
- LRF UP TO 12KM NATO TARGET
- ETHERNET INTERFACE
- IP-67 NITROGEN PURGED MARINE GRADE CHASSIS

SIGHT25-225 DRI LWIR (m)



- Automatic target recognition, automatically track and detect static and dynamic targets
- Ethernet connectivity, modular architecture, single cable connection
- Full HD global shutter 1920x1080 x92 Zoom sensor 65.5° to 0.78° FOV, Sapphire window
- 4K overview module, 4mm Lens, Sapphire window
- LWIR 1280x1024 sensors Lens 25-225mm Cont. x10.2 Zoom FOV 3.9°x3.1° to 34.2°x27.6°, Germanium window
- 8.6 km NATO target, 0.5-0.01m precision
- PSU 12-40 VDC MIL-STD-461; MIL-STD-1275; MIL-STD-704
- Ethernet, ONVIF, RTSP interface
- Ex-Sight Application, SDK Open Source C#
- IP-67 Hermetic sealed chassis, Nitrogen purged, MIL.STD, with hermetic D38999 Stainless Steel connector
- Operating temp -40°C to +60°C
- **Dimensions** (LxWxH, mm) 352x275x360
- **Weight** 20 kg

SIGHT25-225

SYSTEM OVERVIEW

DAY SCENE SENSOR

CAMERA SCENE 90° 4K
SAPPHIRE WINDOW

LRF

LASER RANGE FINDER
Up to 12KM NATO Target

DAY ZOOM SENSOR

FULL HD 30FPS
1920x1080
x92 ZOOM
6,1mm-561mm

LWIR ZOOM SENSOR

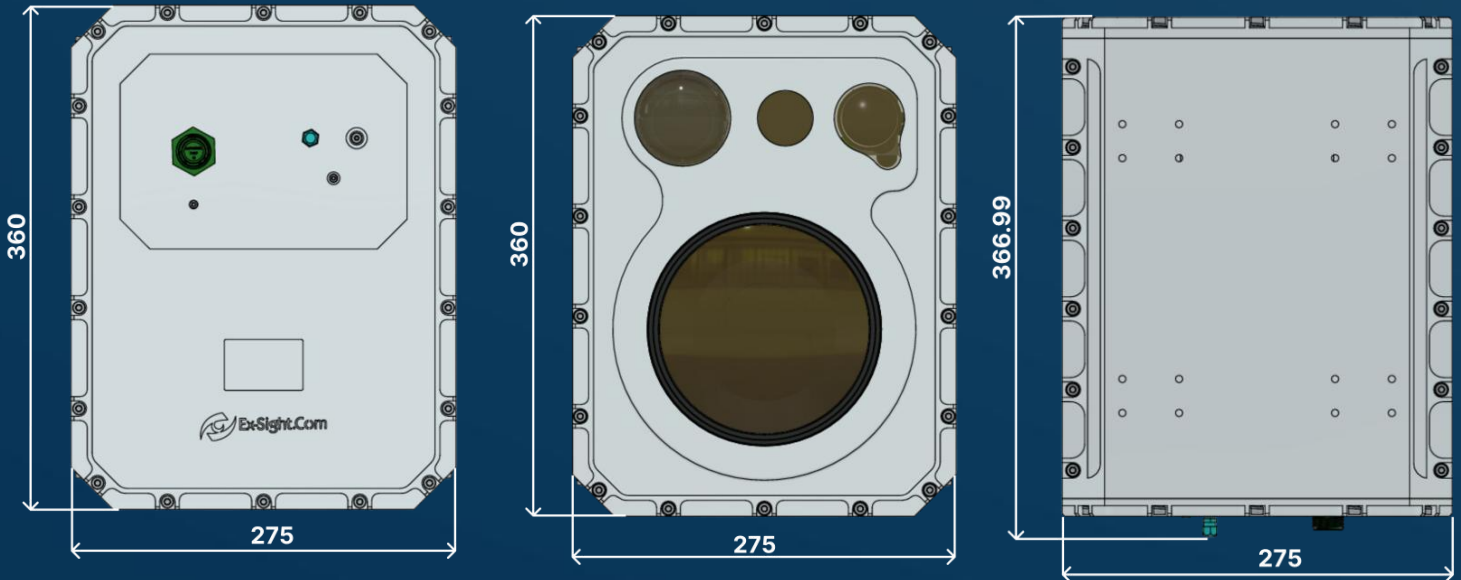
LWIR 1280x1024
x10,2 ZOOM
25-225mm

- EX-SIGHT APPLICATION, SDK OPEN SOURCE C#
- ETHERNET INTERFACE
- IP-67 NITROGEN PURGED

SIGHT25-225

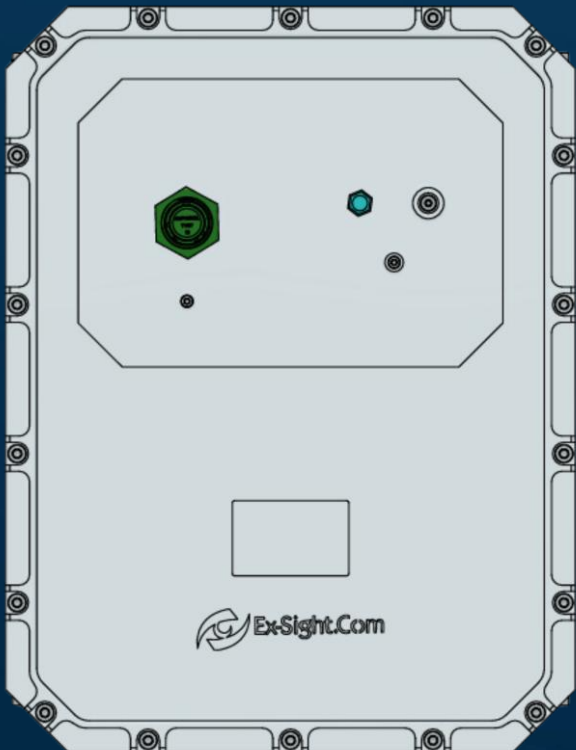
DIMENSIONS (LxWxH, mm) 352x275x360

WEIGHT 20 kg



PANEL PIN LAYOUT

D38999/23YC35PN Stainless Steel Hermetic Connector



PIN	DESCRIPTION
1	NC
2	NC
3	(+9 TO +36VDC) INPUT POWER
4	GND INPUT POWER
5	(+9 TO +36VDC) INPUT POWER
6	GND INPUT POWER
7	NC
8	NC
9	ETHERNET2 (1) TX+
10	ETHERNET2 (2) TX-
11	ETHERNET2 (3) RX+
12	ETHERNET2 (6) RX-
13	NC
14	NC
15	ETHERNET1 (1) TX+
16	ETHERNET1 (2) TX-
17	ETHERNET1 (3) RX+
18	ETHERNET1 (6) RX-
19	DAY VIDEO CVBS SIGNAL
20	DAY VIDEO CVBS GND
21	THERMAL VIDEO CVBS SIGNAL
22	THERMAL VIDEO CVBS GND

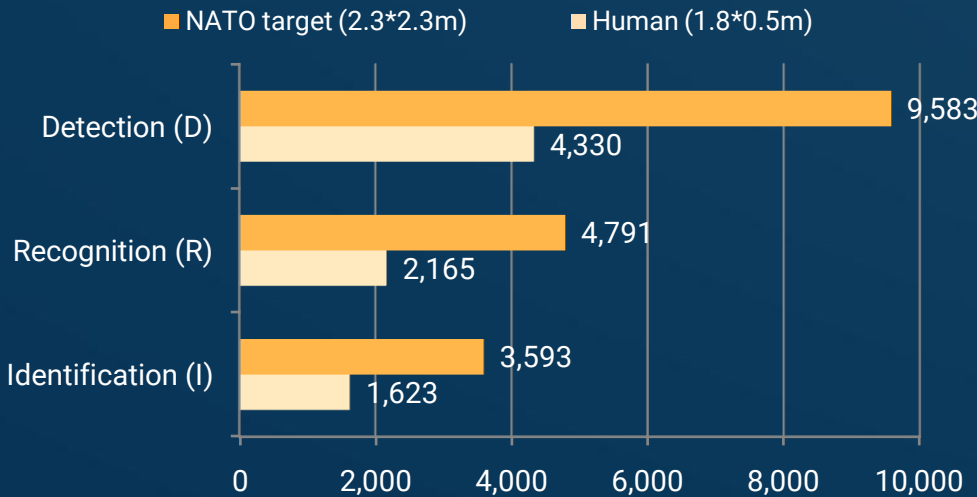


SIGHT25-150

LWIR UNCOOLED VISION SYSTEM

- GLOBAL SHUTTER DAY 1600x1300 x36 Zoom
- LWIR 640x512 x6 Zoom 25-150mm
- LRF up to 8KM NATO Target
- ETHERNET INTERFACE

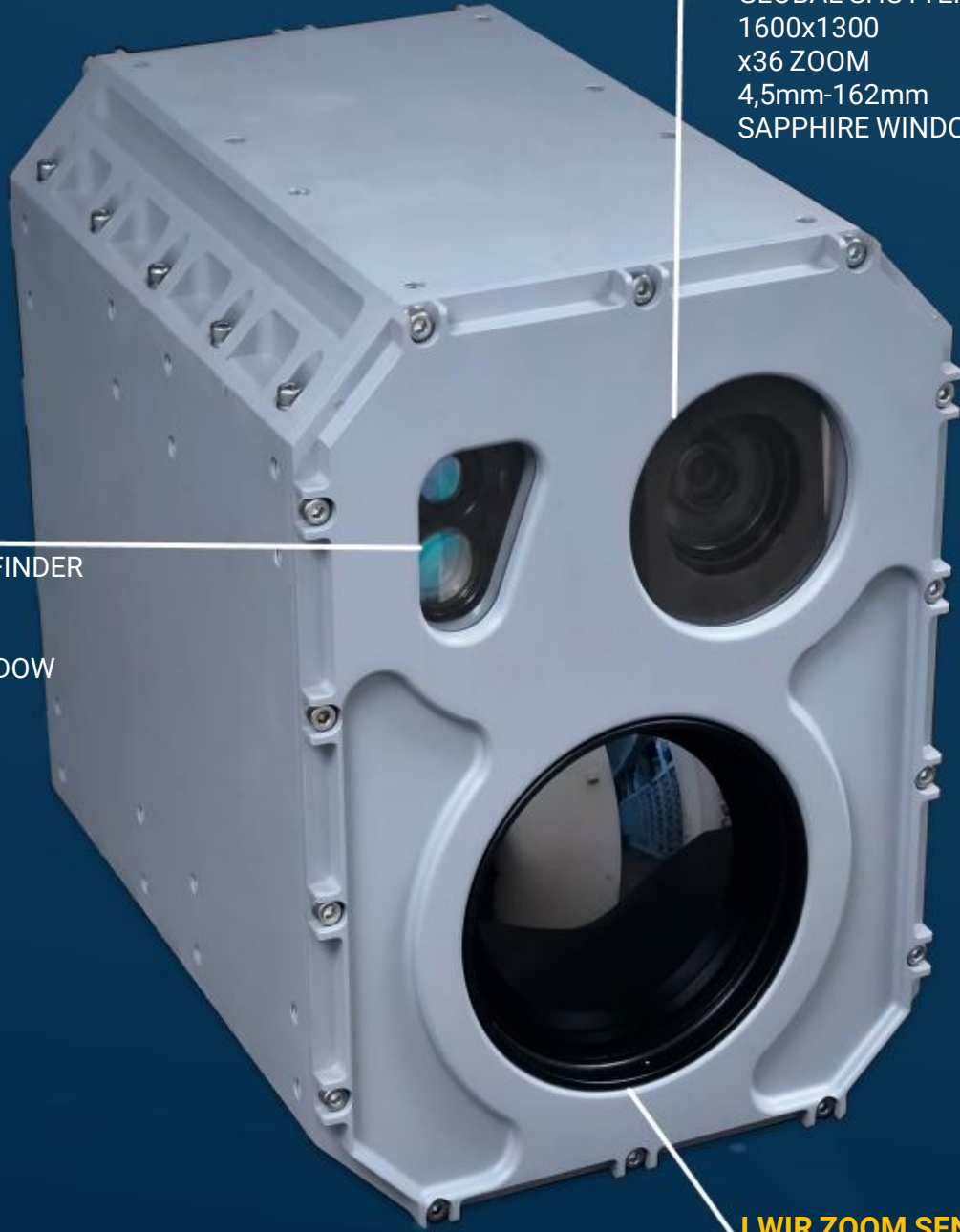
SIGHT25-150 DRI LWIR (m)



- Automatic target recognition, automatically track and detect static and dynamic targets
- Ethernet connectivity, modular architecture, single cable connection
- Full HD global shutter 60FPS 1600x1300 x36 Zoom, 4,5mm-162mm, sensor 59.0° to 2.4° FOV, Sapphire window
- LWIR 640x512 sensor 12µm , Lens 25-150 mm Cont. x6 Zoom FOV 2.93°x2.34° to 17.5°x14° Germanium window
- LRF 8.6 km NATO target, 0.5-0.01m precision
- PSU 12-40 VDC MIL-STD-461; MIL-STD-1275; MIL-STD-704
- Ethernet, ONVIF, RTSP interface
- Ex-Sight Application, SDK Open Source C#
- IP-67 Hermetic sealed chassis, Nitrogen purged, MIL.STD, with hermetic D38999 Stainless Steel connector
- Operating temp -40°C to +80°C
- **Dimensions** (LxWxH, mm) 290x190x264
- **Weight** 9 kg

SIGHT25-150

SYSTEM OVERVIEW



LRF

LASER RANGE FINDER
Up to 8KM
NATO Target
SAPPHIRE WINDOW

DAY ZOOM SENSOR

GLOBAL SHUTTER 60FPS
1600x1300
x36 ZOOM
4,5mm-162mm
SAPPHIRE WINDOW

LWIR ZOOM SENSOR

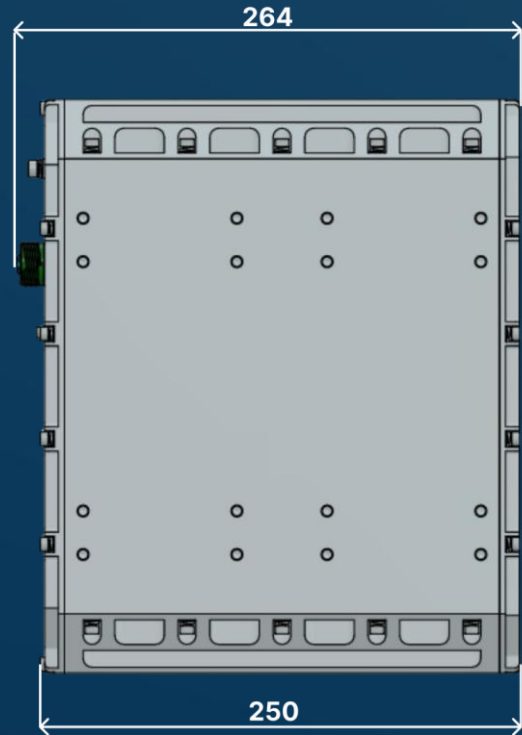
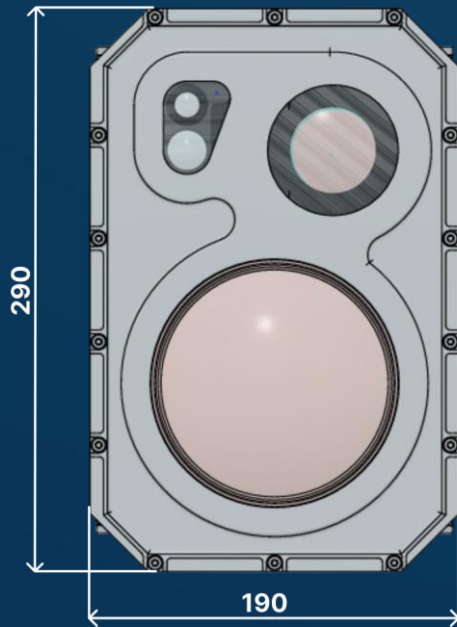
LWIR 640x512
x6 ZOOM
25-150mm

- EX-SIGHT APPLICATION, SDK OPEN SOURCE C#
- ETHERNET INTERFACE
- IP-67 NITROGEN PURGED

SIGHT25-150

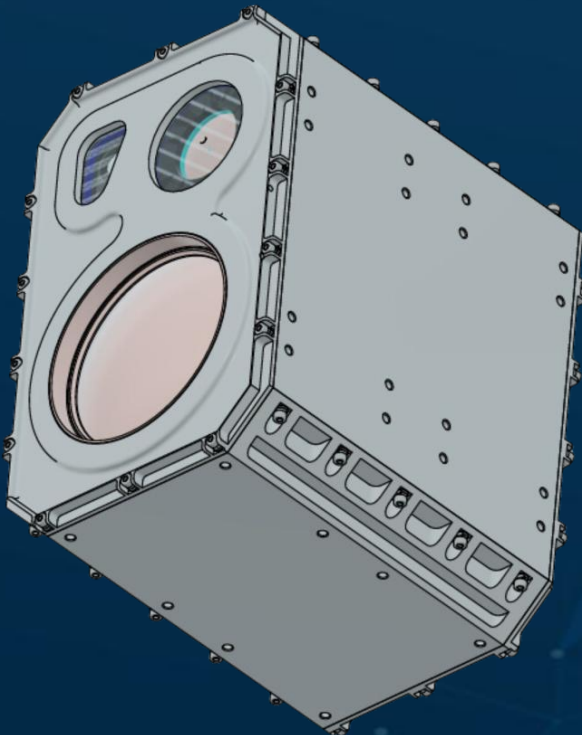
DIMENSIONS (LxWxH, mm) 290x190x264

WEIGHT 9 kg



PANEL PIN LAYOUT

D38999/23YC35PN Stainless Steel Hermetic Connector



PIN	DESCRIPTION
1	NC
2	NC
3	(+9 TO +36VDC) INPUT POWER
4	GND INPUT POWER
5	(+9 TO +36VDC) INPUT POWER
6	GND INPUT POWER
7	NC
8	NC
9	ETHERNET2 (1) TX+
10	ETHERNET2 (2) TX-
11	ETHERNET2 (3) RX+
12	ETHERNET2 (6) RX-
13	NC
14	NC
15	ETHERNET1 (1) TX+
16	ETHERNET1 (2) TX-
17	ETHERNET1 (3) RX+
18	ETHERNET1 (6) RX-
19	NC
20	NC
21	NC
22	NC

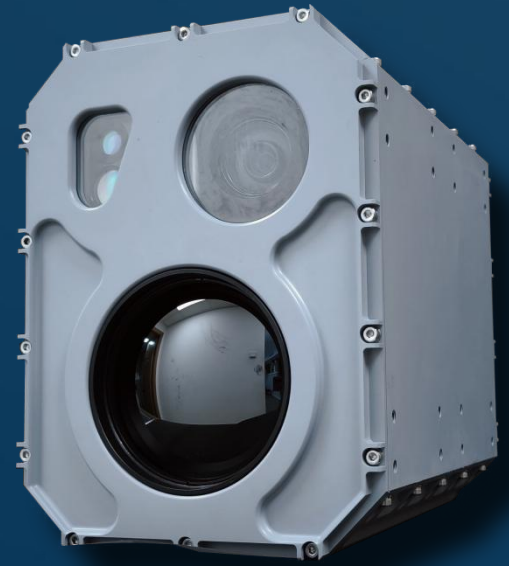
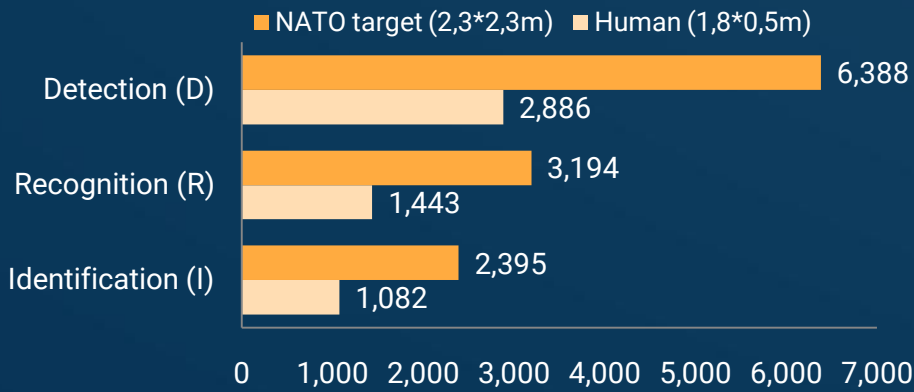


SIGHT20-100

LWIR UNCOOLED VISION SYSTEM

- GLOBAL SHUTTER DAY 1600x1300 x36 Zoom
- LWIR 640x512 x5 Zoom 20-100mm
- LRF up to 8KM NATO Target
- ETHERNET INTERFACE

SIGHT20-100 DRI LWIR (m)



- Automatic target recognition, automatically track and detect static and dynamic targets
- Ethernet connectivity, modular architecture, single cable connection
- Full HD Global Shutter 1600x1300, 60FPS, x36 Zoom 4,5mm-162mm sensor 59,0° to 2,4 FOV Sapphire Window
- LWIR 640x512 sensor 12µm, Lens 20-100 mm Cont. x5 Zoom 22.5° to 4.4° FOV, Germanium window
- LRF 8.6 km NATO target 0,5-0,01m precision
- PSU 12-40 VDC MIL-STD-461; MIL-STD-1275;
- MIL-STD-704
- Ethernet, ONVIF, RTSP interface
- Ex-Sight Application, SDK Open Source C#
- IP-67 Hermetic sealed chassis, Nitrogen purged, MIL.STD, with hermetic D38999 Stainless Steel connector
- Operating temp -40°C to +80°C
- **Dimensions (LxWxH, mm)** 250x190x255
- **Weight** 9 kg

SYSTEM OVERVIEW

DAY ZOOM SENSOR

GLOBAL SHUTTER 60FPS
1600x1300
x36 ZOOM
4,5mm-162mm
SAPPHIRE WINDOW

LRF

LASER RANGE FINDER
Up to 8KM
NATO Target
SAPPHIRE WINDOW

LWIR ZOOM SENSOR

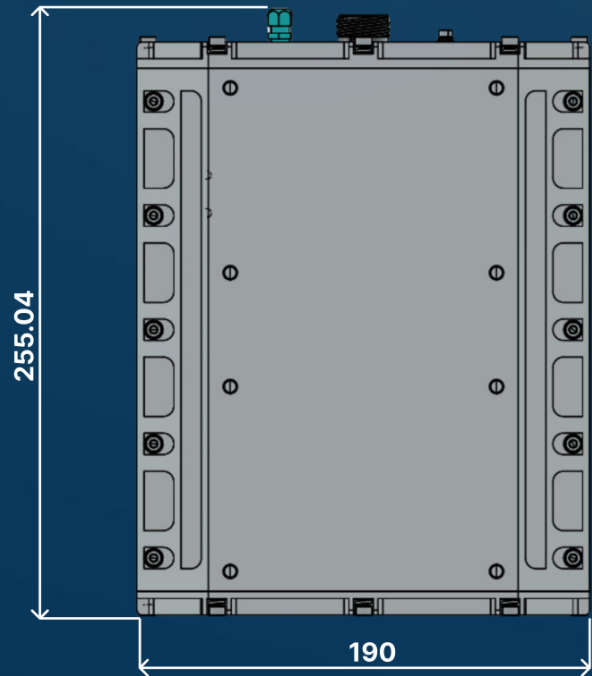
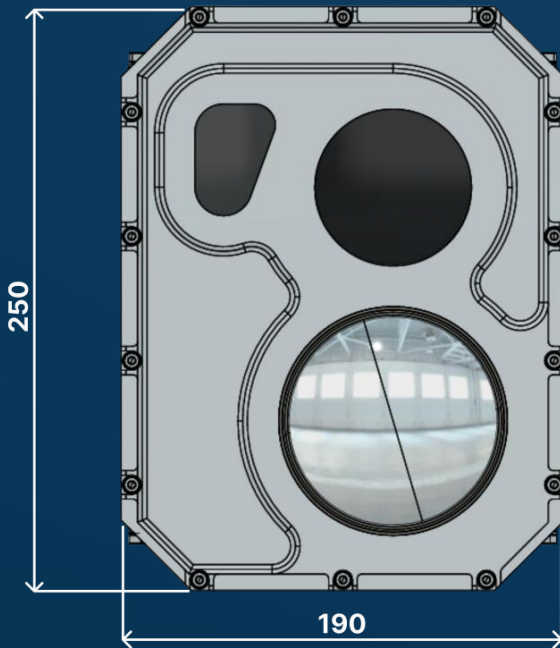
LWIR 640x512
x5 ZOOM
20-100mm

- SOFTWARE EX-SIGHT APPLICATION, SDK OPEN SOURCE C#
- ETHERNET INTERFACE
- IP-67 NITROGEN PURGED

SIGHT20-100

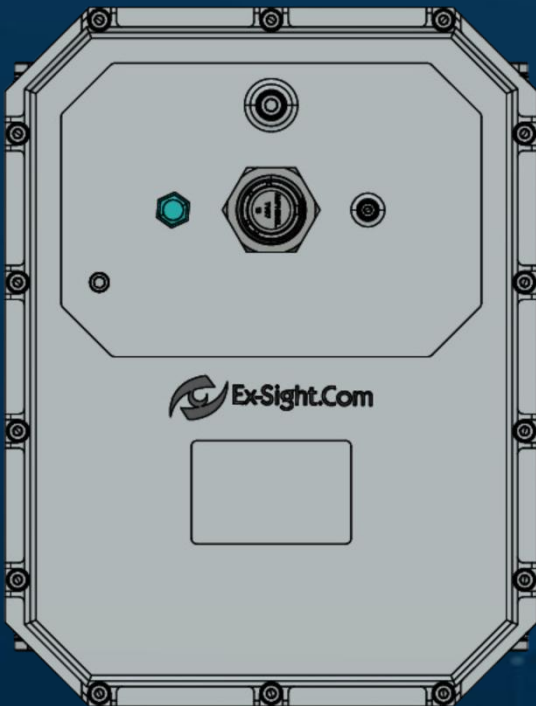
DIMENSIONS (LxWxH, mm) 250x190x255

WEIGHT 9 kg



PANEL PIN LAYOUT

D38999/23YC35PN Stainless Steel Hermetic Connector







PIN	DESCRIPTION
1	NC
2	NC
3	(+9 TO +36VDC) INPUT POWER
4	GND INPUT POWER
5	(+9 TO +36VDC) INPUT POWER
6	GND INPUT POWER
7	NC
8	NC
9	ETHERNET2 (1) TX+
10	ETHERNET2 (2) TX-
11	ETHERNET2 (3) RX+
12	ETHERNET2 (6) RX-
13	NC
14	NC
15	ETHERNET1 (1) TX+
16	ETHERNET1 (2) TX-
17	ETHERNET1 (3) RX+
18	ETHERNET1 (6) RX-
19	NC
20	NC
21	NC
22	NC



OWL

HIGH POWER STABILIZED PAN TILT

		
	OWL	OMEGAΩ
TYPE	U model	Ω (OMEGA) model
TILT	±90° Deg Motor Torque (NM) 35/ 50/ 150	
PAN	Cont. 360° Deg Motor Torque (NM) 35/ 50/ 150	
TRUE NORTH INS GPS	DUAL ANTENNA GNSS-AIDED INERTIAL NAVIGATION	
MAX.SPEED	30 RPM, up to 120°/sec	
MAX. PAYLOAD	70 kg	70 kg
DIMENSIONS LxWxH (mm)	416x210x442 mm	828x420x210
WEIGHT(Kg)	16 kg	16 kg
IP RATE	IP67	
		
	Two-axis device	
MOUNTING TYPE	Top Mount	Top & Side Mount



OWL

GYRO STABILIZED PAN TILT

The OWL was designed to allow high precision continuous 360 stabilized platform for heavy EO payloads due to his high power precision motors, embedded braking system and true north dual GPS INS.

The supports up to 70 Kg payloads.



GYRO STABILIZED PAN TILT

- High power precision motors
- True North Dual GPS INS
- Ethernet interface
- Embedded braking system
- Low power consumption on idle
- Light Weight Rugged Aluminum structure

SPECIFICATION	
MAX SPEED	Up to 120°/sec
MAX PAYLOAD	70 kg
ACCURACY	0.01° Deg
MOTION RANGE AZIMUTH	Cont. 360° Deg
MOTION RANGE ELEVATION	±90° Deg
CONTROL INTERFACE	ETHERNET (UDP)
POWER SUPPLY	48VDC
MAX CURRENT (LOADED)	16A@48VDC
ENVIRONMENTAL PROTECTION	IP66
OPTIONAL TRUE NORTH INS GPS	DUAL ANTENNA GNSS-AIDED INERTIAL NAVIGATION
DIMENSIONS LxWxH (mm) OWL	442X412X210 mm
DIMENSIONS LxWxH (mm) OMEGA	794x419x210 mm
WEIGHT	16 kg

GYRO STABILIZED PAN TILT



1 D38999/23YC35PN

Mil. Std Stainless Steel connector

PANEL PIN LAYOUT

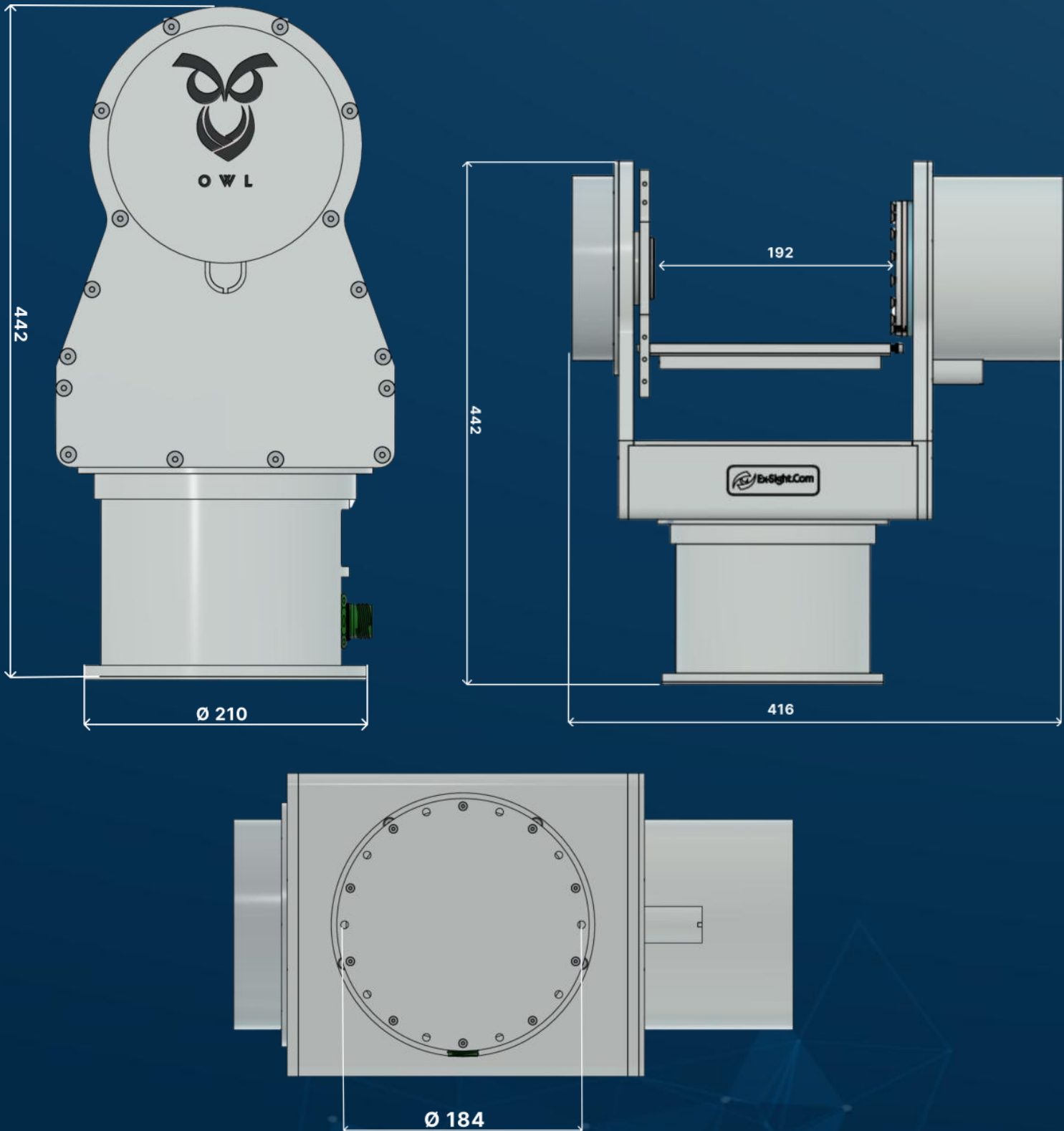
D38999/23YC35PN Stainless Steel Hermetic Connector

PIN	DESCRIPTION
1	GND POWER IN
2	GND POWER IN
3	GND POWER IN
4	GND POWER IN
5	GND POWER IN
6	GND POWER IN
7	+24VDC POWER IN
8	+24VDC POWER IN
9	+24VDC POWER IN
10	+24VDC POWER IN
11	+24VDC POWER IN
12	+24VDC POWER IN
13	ETHERNET (1) White Orange TX+
14	ETHERNET (2) Orange TX-
15	ETHERNET (3) White Green RX+
16	ETHERNET (4) Blue RX-
17	ETHERNET (5) White Blue
18	ETHERNET (6) Green
19	ETHERNET (7) White Brown
20	ETHERNET (8) Brown
21	GND POWER IN
22	+24VDC POWER IN

OWL

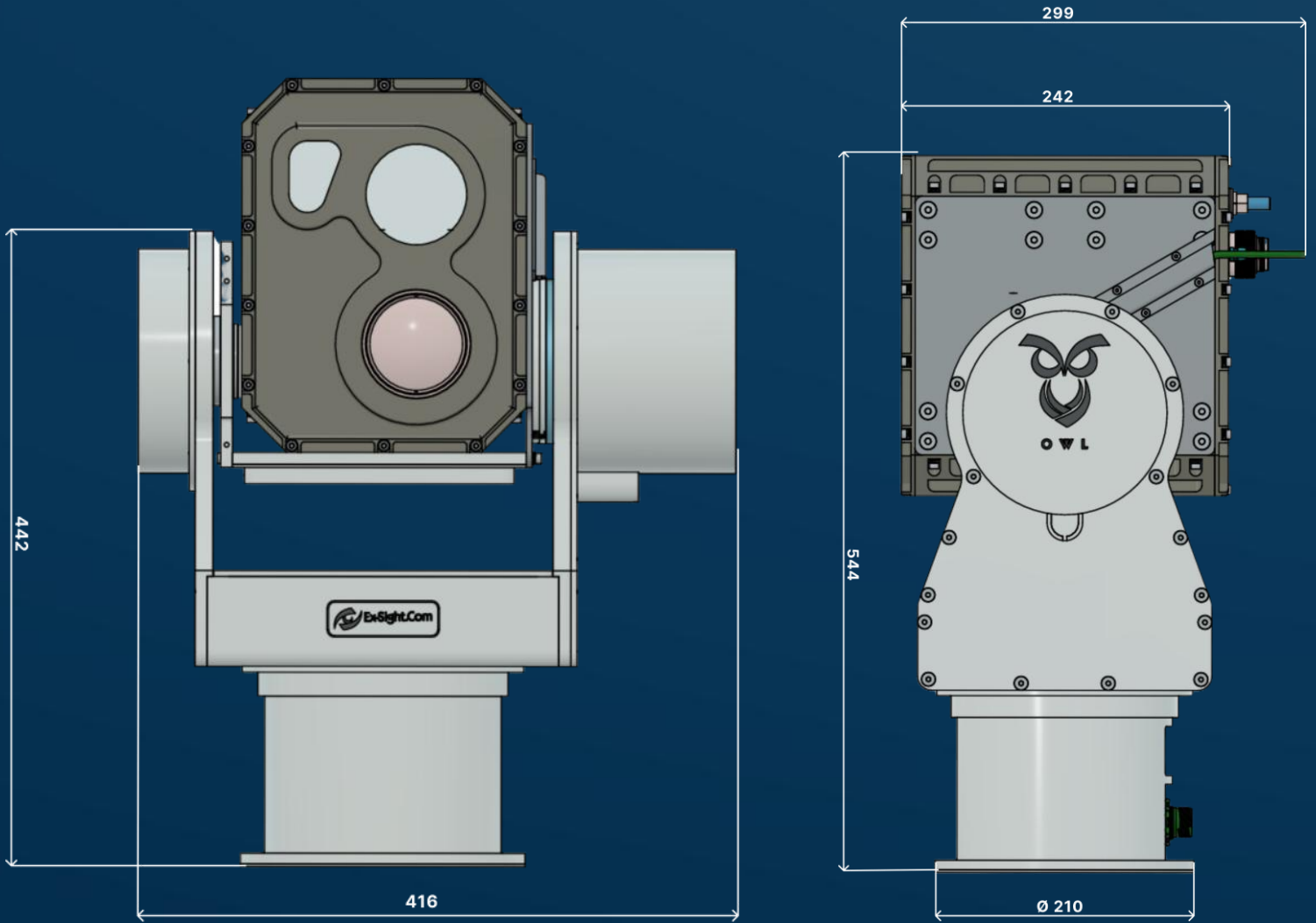
DIMENSIONS without camera (LxWxH, mm) 442x416x210

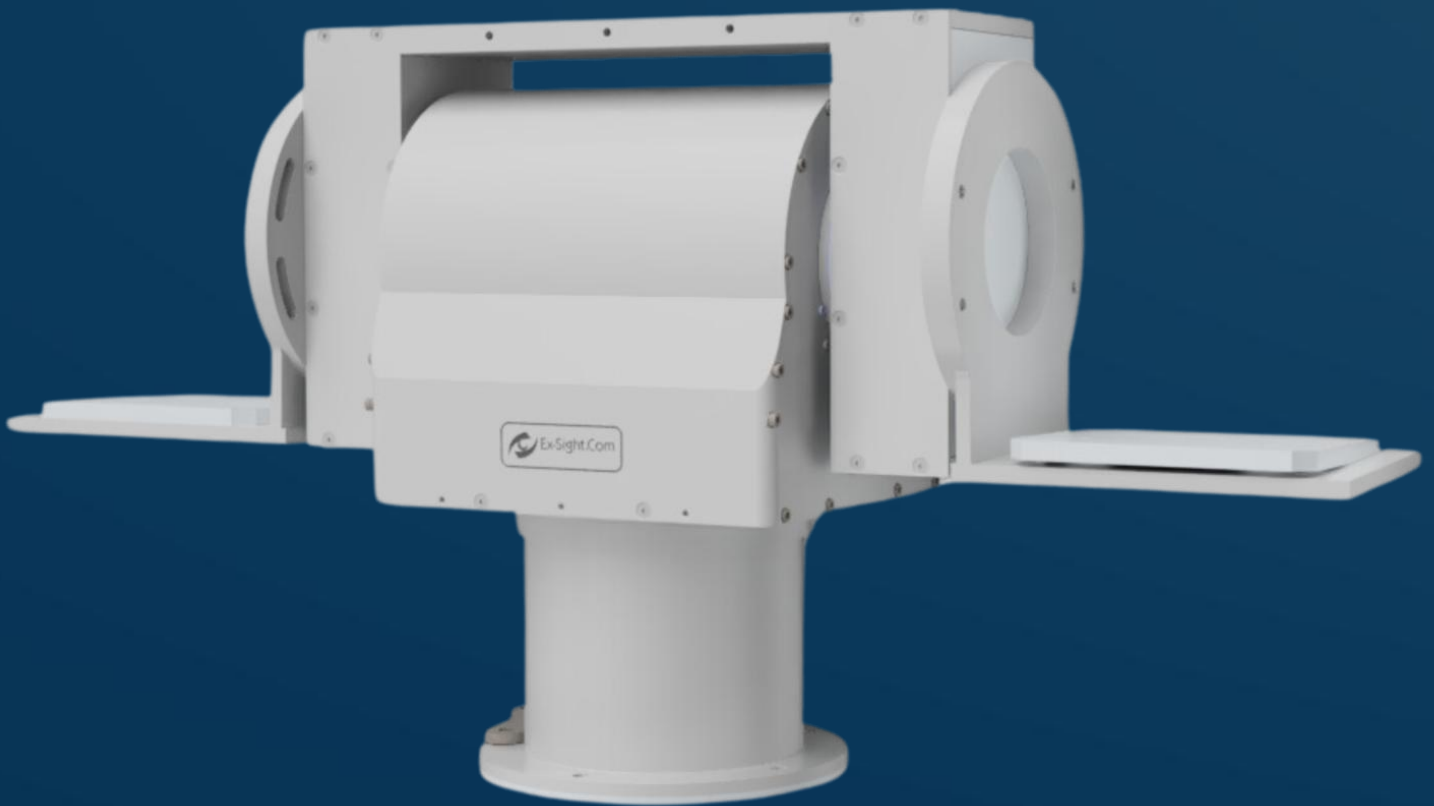
WEIGHT 16 kg



OWL

DIMENSIONS with camera (LxWxH, mm) 442x416x210





OMEGAΩ

GYRO STABILIZED PAN TILT

The OWL was designed to allow high precision continuous 360 stabilized platform for heavy EO payloads due to his high power precision motors, embedded braking system and true north dual GPS INS.

The OWL-Omega supports up to 70 Kg payloads.



GYRO STABILIZED PAN TILT

- High power precision motors
- True North Dual GPS INS
- Ethernet interface
- Embedded braking system
- Low power consumption on idle
- Light Weight Rugged Aluminum structure

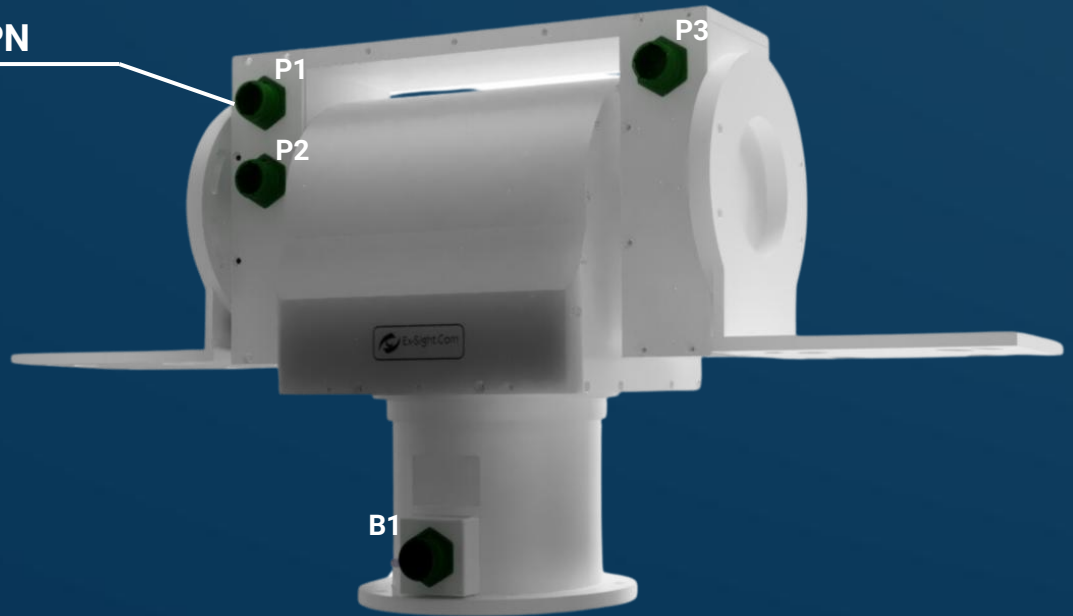
SPECIFICATION	
MAX SPEED	Up to 120°/sec
MAX PAYLOAD	70 kg
ACCURACY	0.01° Deg
MOTION RANGE AZIMUTH	Cont. 360° Deg
MOTION RANGE ELEVATION	±90° Deg
CONTROL INTERFACE	ETHERNET (UDP)
POWER SUPPLY	48VDC
MAX CURRENT (LOADED)	16A@48VDC
ENVIRONMENTAL PROTECTION	IP66
OPTIONAL TRUE NORTH INS GPS	DUAL ANTENNA GNSS-AIDED INERTIAL NAVIGATION
DIMENSIONS LxWxH (mm) OWL	442X412X210 mm
DIMENSIONS LxWxH (mm) OMEGA	794x419x210 mm
WEIGHT	16 kg

GYRO STABILIZED PAN TILT

① D38999/23YC35PN

Mil. Std Stainless Steel connector

P1-P2-P3 (Payload)
B1 (Base)

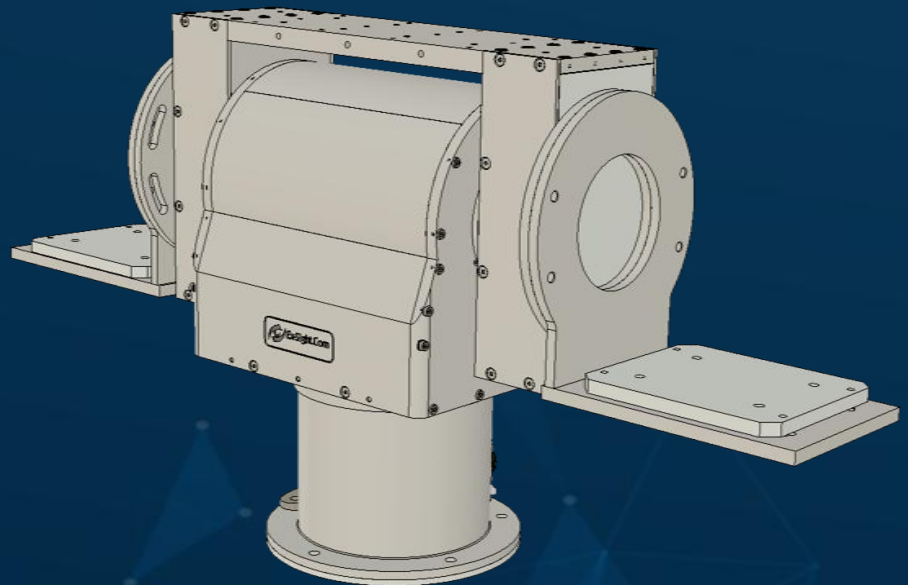
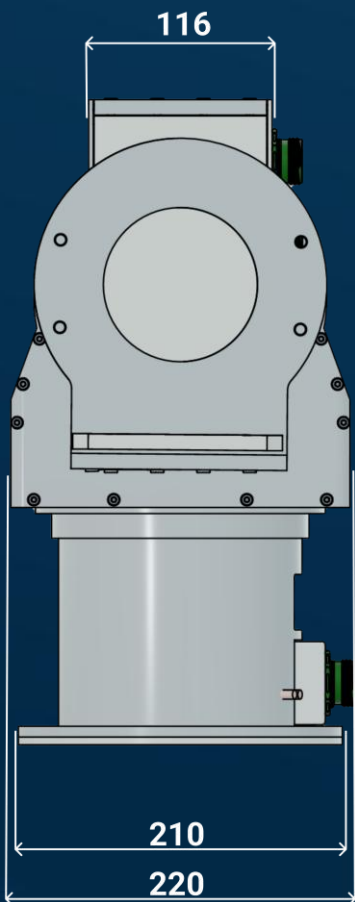
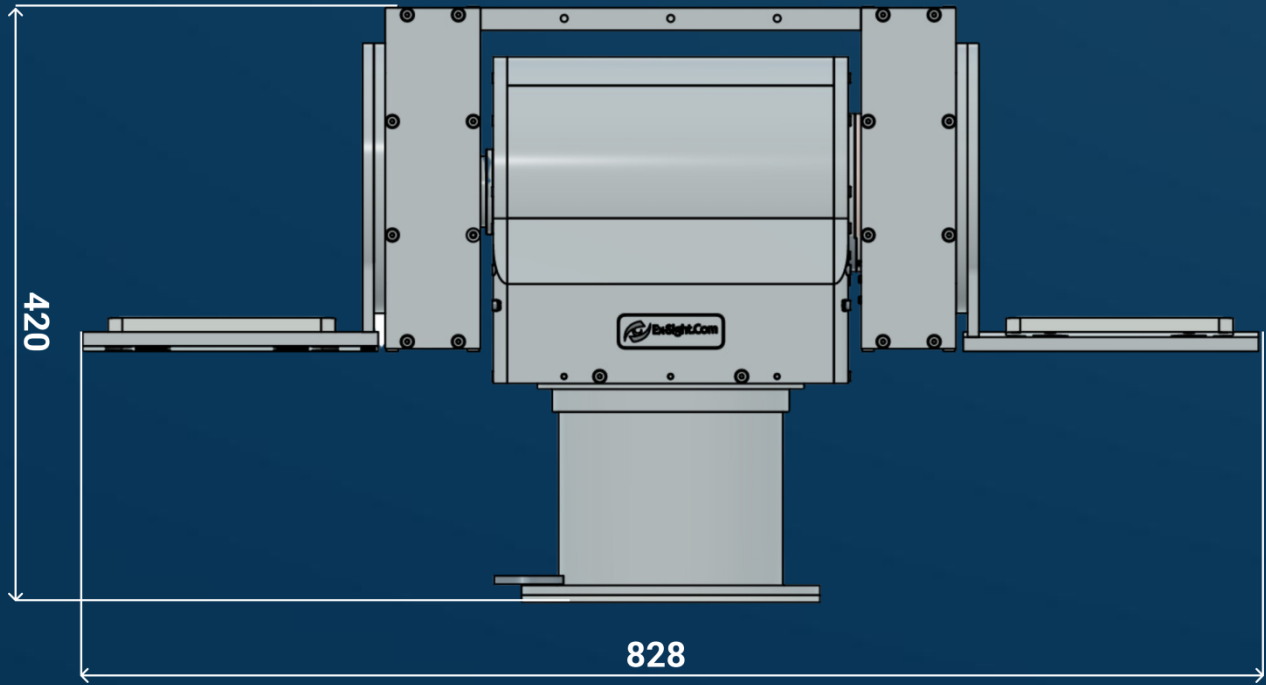


PANEL PIN LAYOUT

D38999/23YC35PN Stainless Steel Hermetic Connector

PIN	DESCRIPTION
1	GND POWER IN
2	GND POWER IN
3	GND POWER IN
4	GND POWER IN
5	GND POWER IN
6	GND POWER IN
7	+24VDC POWER IN
8	+24VDC POWER IN
9	+24VDC POWER IN
10	+24VDC POWER IN
11	+24VDC POWER IN
12	+24VDC POWER IN
13	ETHERNET (1) White Orange TX+
14	ETHERNET (2) Orange TX-
15	ETHERNET (3) White Green RX+
16	ETHERNET (4) Blue RX-
17	ETHERNET (5) White Blue
18	ETHERNET (6) Green
19	ETHERNET (7) White Brown
20	ETHERNET (8) Brown
21	GND POWER IN
22	+24VDC POWER IN

DIMENSIONS without camera (LxWxH, mm) 828x420x210
WEIGHT 16 kg





FUSION SERIES

RUGGED DUAL DIGITAL VISION SYSTEM

			
	OZ1280	FUSION1280	FUSION640
DAY SENSOR	GLOBAL SHUTTER X36 1600x1300 60 FPS H.265/H264 COMPRESSION	FULL HD IMX327 1920x1080/2MP 30 FPS H.265/H.264/MJPEG	FULL HD IMX327 1920x1080/2MP 30FPS H.265/H.264/MJPEG
FOV DAY SENSOR	Global Shutter 60FPS 1600x1300 X36 Zoom 4.5mm-162mm FOV (H) 59.0° to 2.4°	LENS 4mm DC DRIVE M12 (fixed zoom) FOV (H) 69.4°	LENS 4mm DC DRIVE M12 FOV (H) 69.4°
THERMAL SENSOR	UNCOOLED LWIR 12 μm 1280x1024 LENS 13mm 50 FPS FOV 67°	UNCOOLED LWIR 12 μm 1280x1024 LENS 13mm 50 FPS FOV 61°	UNCOOLED LWIR 12 μm 640x512 LENS 5.8mm 50 FPS FOV 67°
LRF	3.5 KM NATO Target	-	-
LWIR DRI			
DETECTION (m) NATO/HUMAN target	830/375	830/375	370/167
RECOGNITION (m) NATO/HUMAN target	415/187	415/187	185/83
IDENTIFICATION (m) NATO/HUMAN target	311/140	311/140	139/62
POWER	9-36VDC, NOMINAL 5.6W (MAX on LOAD 12W)		
DIMENSIONS (mm)	147x149x96	198x193.9x111	147x119x96
CONNECTOR	Stainless Steel Hermetic Connector D38999/23YC35PN		
WEIGHT (Kg)	4.5	3	2.3
IP RATE	IP67 Nitrogen Purged		

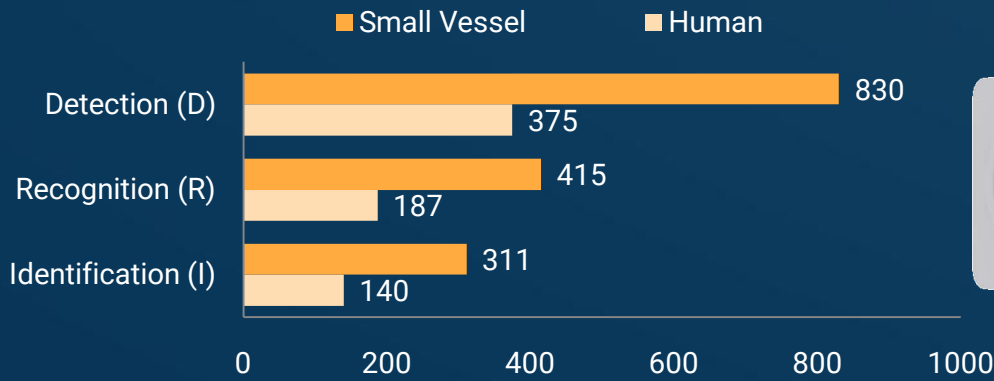


OZ1280

DUAL DIGITAL VISION SYSTEM WITH LRF

- GLOBAL SHUTTER DAY 1600x1300 x36 Zoom
- LWIR 1280x1024 70° FOV (13mm)
- LRF up to 3.5KM NATO Target
- ETHERNET INTERFACE

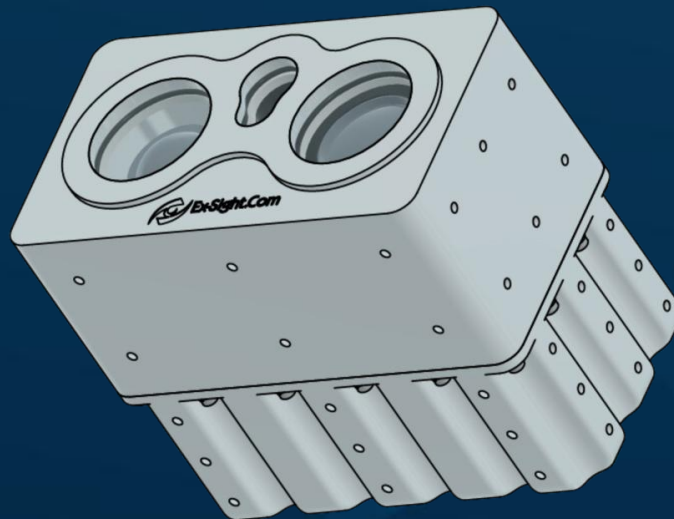
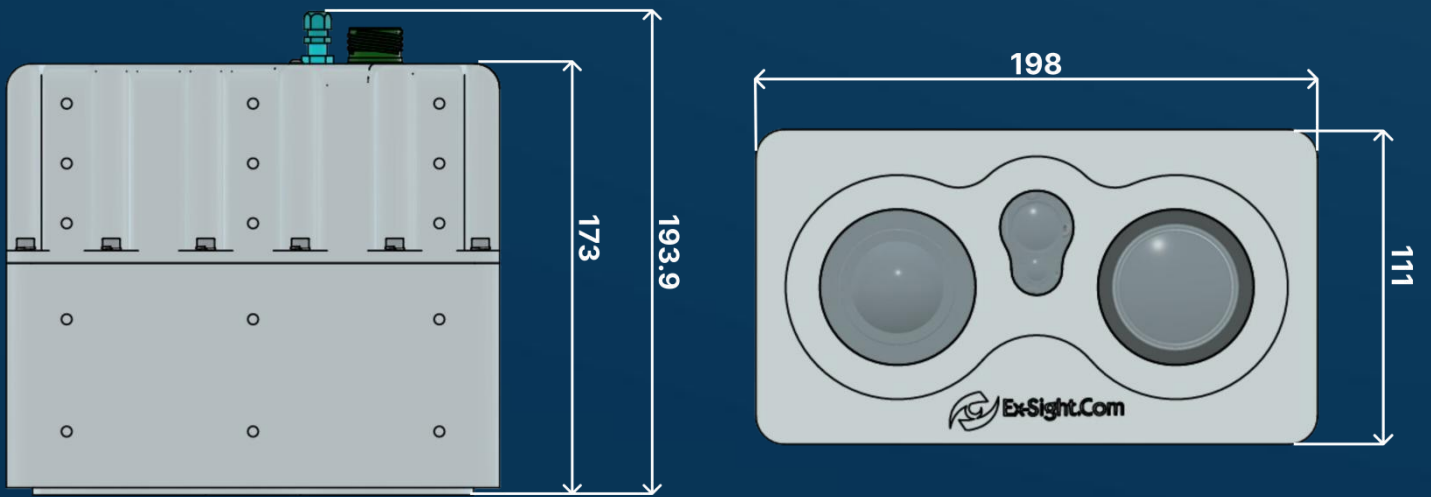
OZ DRI LWIR (m)



- Optional Automatic target recognition, automatically track and detect static and dynamic targets
- Ethernet connectivity, modular architecture, single cable connection
- 1600x1300@60fps Global Shutter x36 zoom Day Sensor , 59.0° ~ 2.4° FOV, Lens f=4.5mm~162mm , Sapphire window
- Uncooled LWIR 1280x1024 sensor, 67° (69.4° x57.3°) FOV, Lens 13mm, Germanium window
- 3,500m NATO target Laser Range Finder
- Sensor daisy chain via Ethernet to save cabling
- Ethernet Interface, ONVIF support, embedded switch
- 12-40 VDC Power Stabilizer
- IP-67 Hermetic sealed chassis, Nitrogen purged, MIL.STD Hermetic connectors
- Operating temp -40°C to +80°C
- **Dimensions** (LxWxH, mm) 198x194x111
- **Weight** 4.5 kg

OZ1280

DIMENSIONS (LxWxH, mm) 198x194x111
WEIGHT 4.5 kg



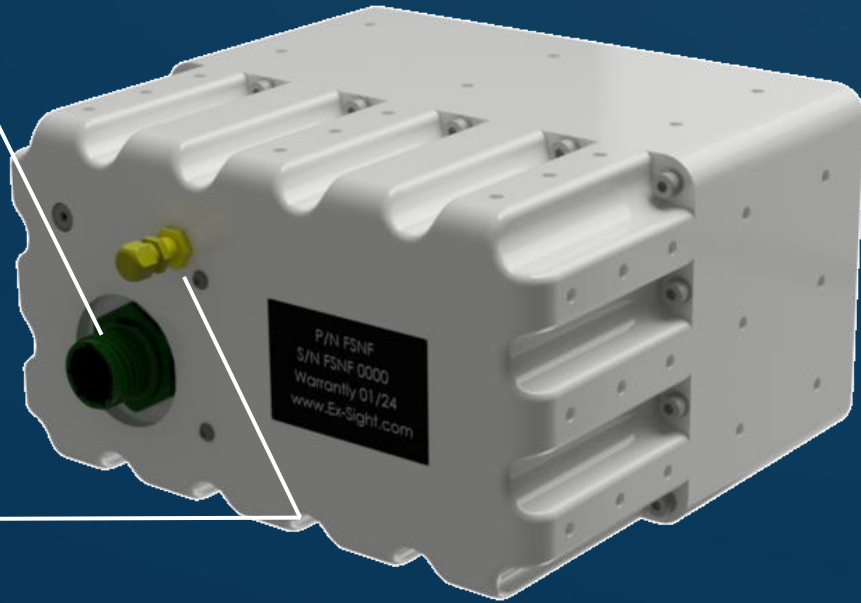
CONNECTION INTERFACE

1 D38999/23YC35PN

Mil. Std Stainless Steel connector

2

Nitrogen Valve



PANEL PIN LAYOUT

D38999/23YC35PN Stainless Steel Hermetic Connector

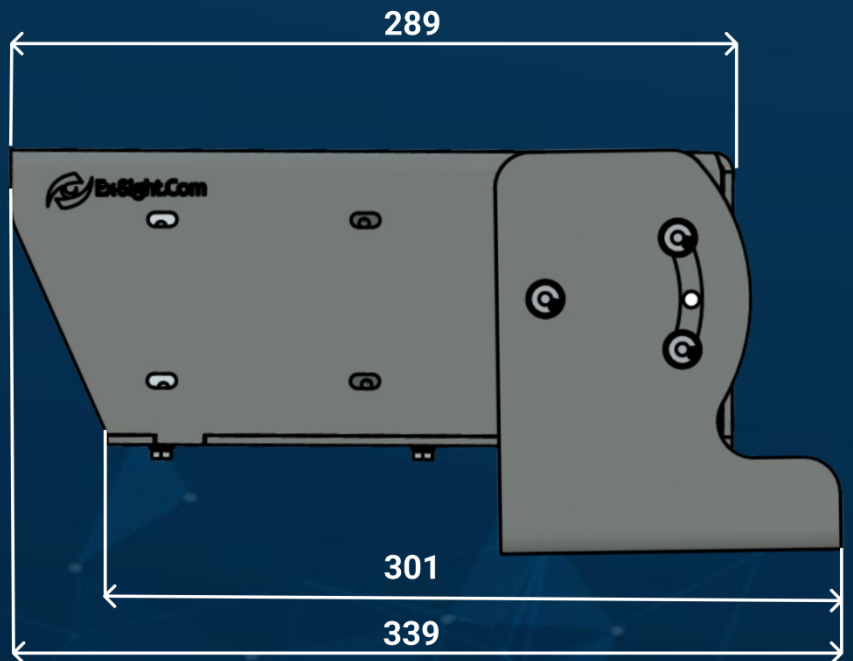
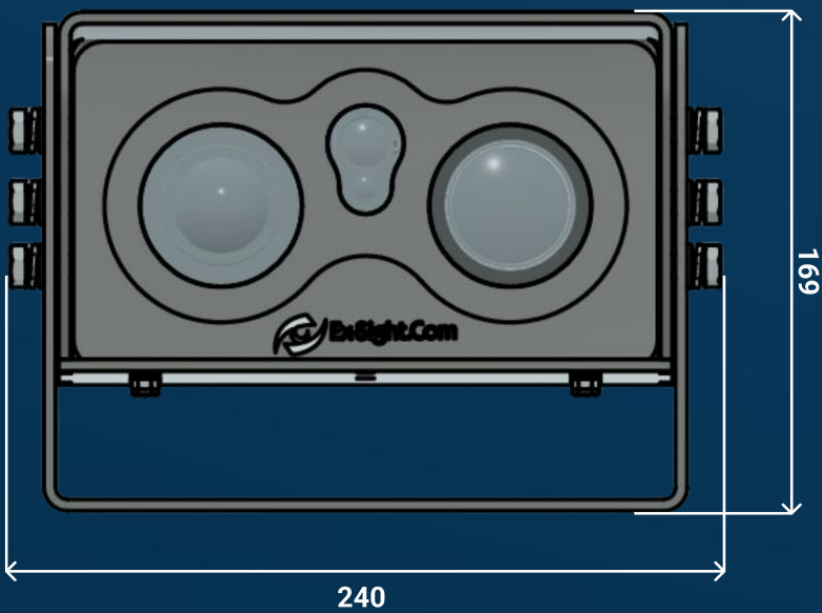
PIN	DESCRIPTION
1	NC
2	NC
3	(+9 TO +36VDC) INPUT POWER
4	GND INPUT POWER
5	(+9 TO +36VDC) INPUT POWER
6	GND INPUT POWER
7	NC
8	NC
9	ETHERNET2 (1) TX+
10	ETHERNET2 (2) TX-
11	ETHERNET2 (3) RX+

PIN	DESCRIPTION
12	ETHERNET2 (6) RX-
13	NC
14	NC
15	ETHERNET1 (1) TX+
16	ETHERNET1 (2) TX-
17	ETHERNET1 (3) RX+
18	ETHERNET1 (6) RX-
19	DAY VIDEO CVBS SIGNAL
20	DAY VIDEO CVBS GND
21	THERMAL VIDEO CVBS SIGNAL
22	THERMAL VIDEO CVBS GND

OZ1280

BRACKET DIMENSIONS

BLACK STEEL BRACKET



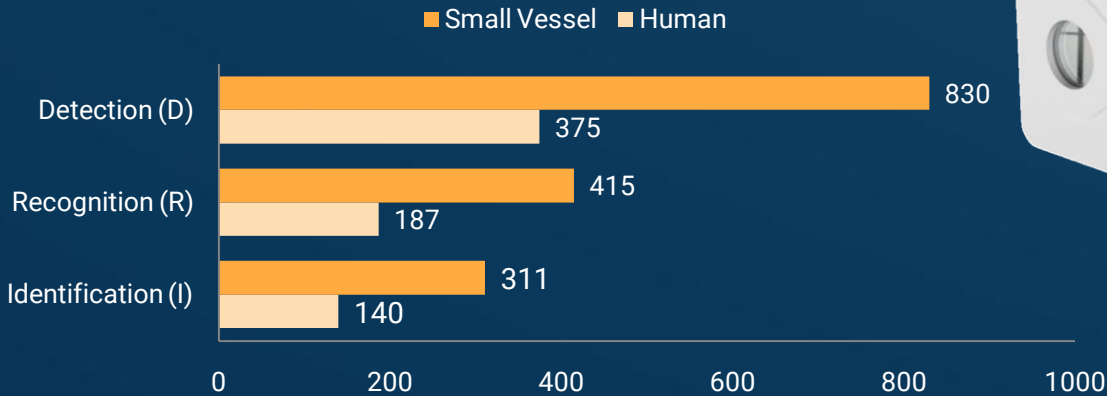


FUSIONF1280

RUGGED DUAL DIGITAL VISION SYSTEM

- FULL-HD LOW LIGHT DAY 1920x1080 4MM
- LWIR 1280x1024 UNCOOLED SENSORS LENS 13MM
- ETHERNET INTERFACE
- IP-67 NITROGEN PURGED CHASSIS

FUSIONF-1280 LWIR DRI (m)

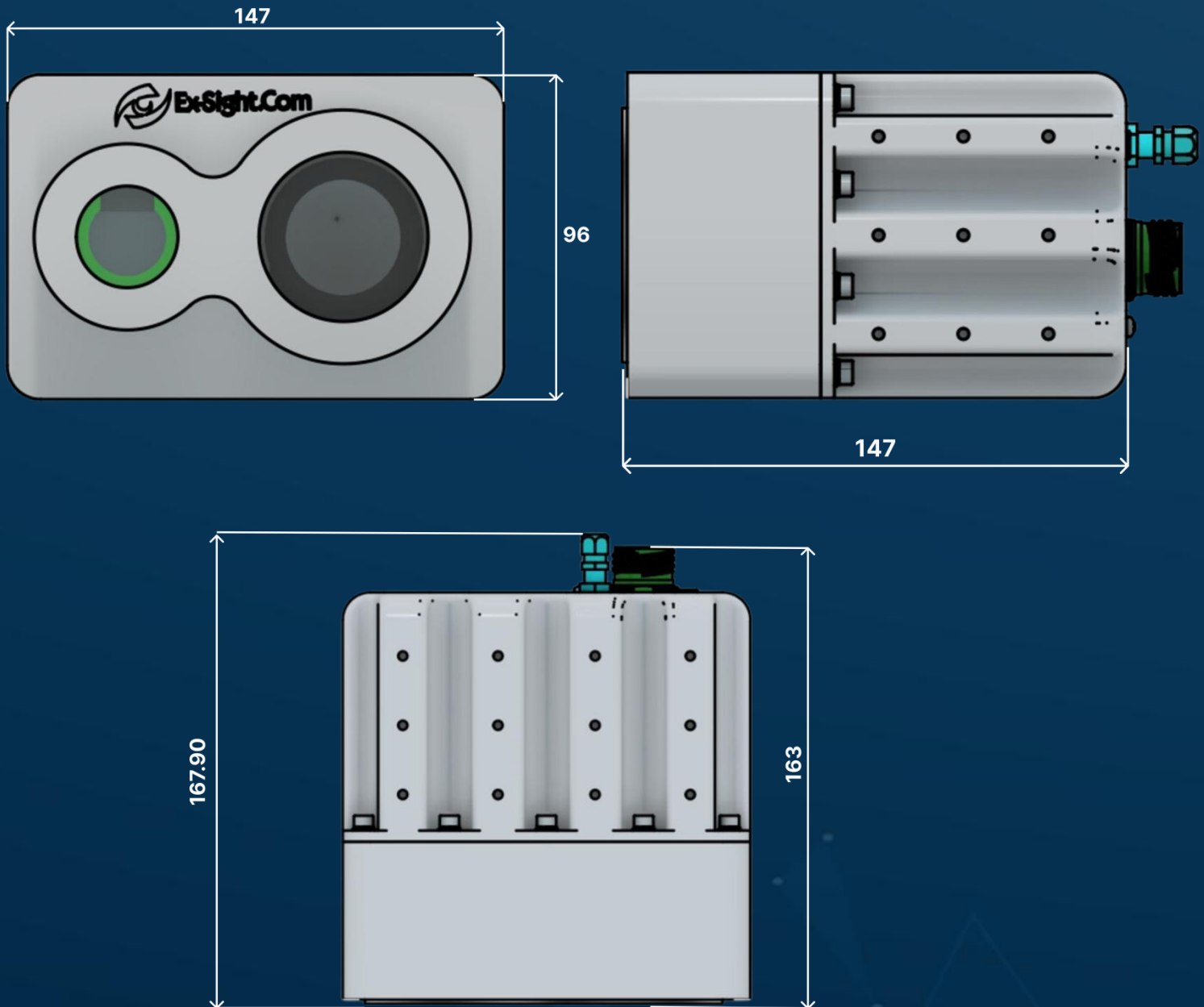


- Day & Night target recognition, detect static and dynamic targets
- LWIR 1280x1024, 12 μm uncooled sensor, LENS 13mm, FOV 61° x50° Germanium window
- Full-HD low light 1920x1080 4mm FOV (H) 84.6° (V) 45.9° (D) 100.0° Sapphire window
- Sensor daisy chain via Ethernet to save cabling
- 9-36VDC Power supply unit
- Easy Sensor-To-Screen, Sensor-To-PC Installation
- Optional SD card recording
- IP-67 Hermetic sealed chassis, Nitrogen purged, MIL.STD Hermetic connectors
- Power consumption (@24V):140mA (2300mA MAX)
- Operating temp -40°C to +80°C
- **Dimensions (LxWxH,mm)**
147x149x96mm
- **Weight** 3 kg

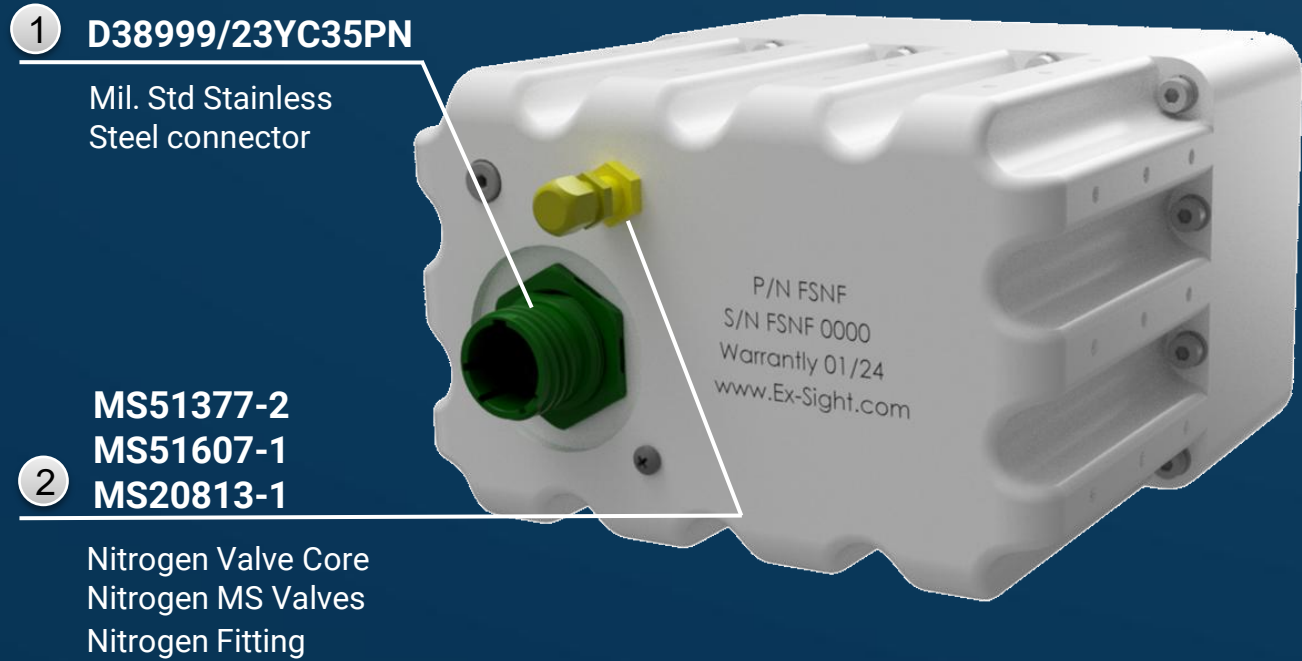
FUSION F1280

DIMENSIONS (LxWxH, mm) 147x149x96

WEIGHT 3 kg



CONNECTION INTERFACE



PANEL PIN LAYOUT

D38999/23YC35PN Stainless Steel Hermetic Connector

PIN	DESCRIPTION
1	NC
2	NC
3	(+9 TO +36VDC) INPUT POWER
4	GND INPUT POWER
5	(+9 TO +36VDC) INPUT POWER
6	GND INPUT POWER
7	NC
8	NC
9	ETHERNET2 (1) TX+
10	ETHERNET2 (2) TX-
11	ETHERNET2 (3) RX+

PIN	DESCRIPTION
12	ETHERNET2 (6) RX-
13	NC
14	NC
15	ETHERNET1 (1) TX+
16	ETHERNET1 (2) TX-
17	ETHERNET1 (3) RX+
18	ETHERNET1 (6) RX-
19	DAY VIDEO CVBS SIGNAL
20	DAY VIDEO CVBS GND
21	THERMAL VIDEO CVBS SIGNAL
22	THERMAL VIDEO CVBS GND

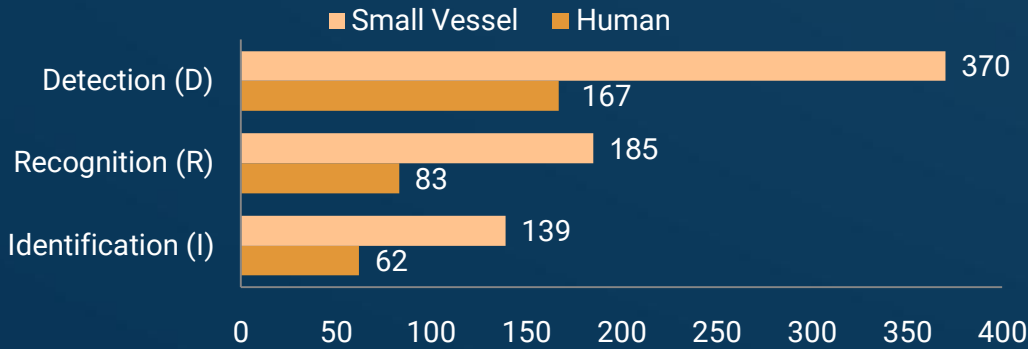


FUSIONF640

UNCOOLED LWIR Vision System

- FULL-HD LOW LIGHT DAY 1920x1080 4MM
- LWIR 640x512 5,8MM
- ETHERNET & ANALOG INTERFACE
- IP-67 NITROGEN PURGED CHASSIS

FUSIONF-640 LWIR DRI (m)

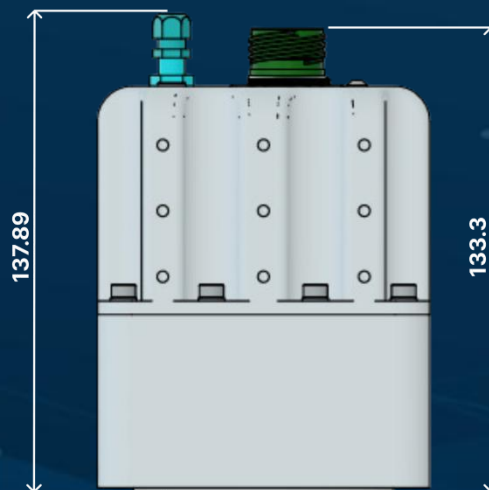
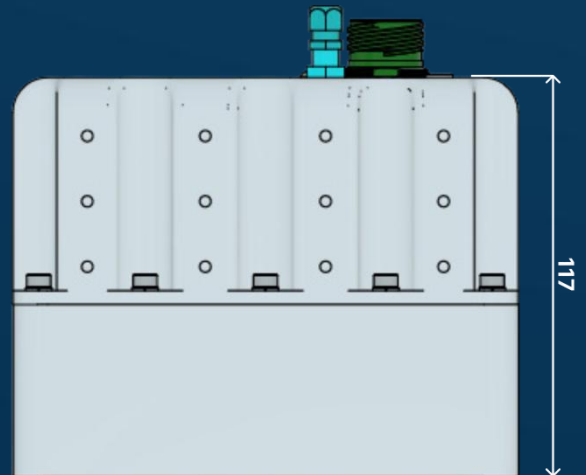


- Day & Night target recognition, detect static and dynamic targets
- LWIR 640x512 uncooled sensors LENS (640) 5.8mm, FOV 67° (69.4°x57.3°), with Germanium window
- Full-HD low light 1920x1080 sensors Lens 4mm , FOV (H) 84.6° (V) 45.9° (D) 100.0°, Sapphire window
- Sensor daisy chain via Ethernet to save cabling
- 9-36VDC Power supply unit
- Easy Sensor-To-Screen, Sensor-To-PC Installation
- Optional SD card recording
- IP-67 Hermetic sealed chassis, Nitrogen purged, MIL.STD Hermetic connectors
- Power consumption (24V) : 140mA (2300mA MAX Constant)
- Operating temp -40°C to +80°C
- **Dimensions (LxWxH,mm)**
147x119x96mm
- **Weight** 2,3 kg

FUSION F640

DIMENSIONS (LxWxH, mm) 147x119x96

WEIGHT 2,3 kg



CONNECTION INTERFACE

1 D38999/23YC35PN

Mil. Std Stainless Steel connector

**2 MS51377-2
MS51607-1
MS20813-1**

Nitrogen Valve Core
Nitrogen MS Valves
Nitrogen Fitting



PANEL PIN LAYOUT

D38999/23YC35PN Stainless Steel Hermetic Connector

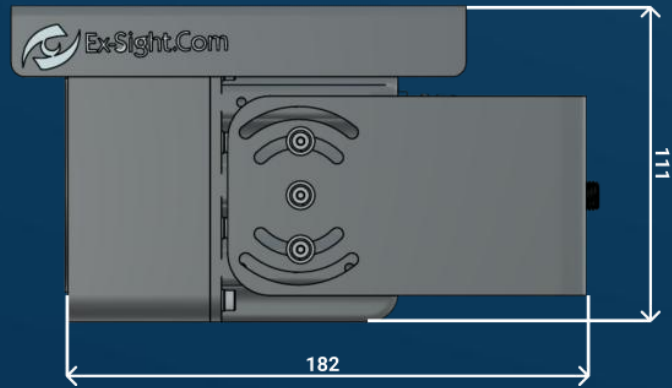
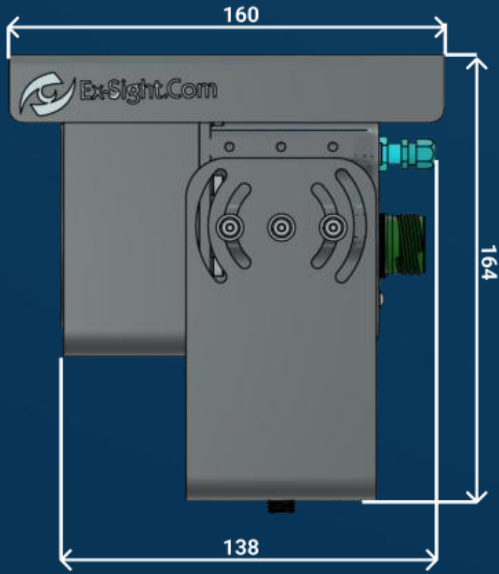
PIN	DESCRIPTION
1	NC
2	NC
3	(+9 TO +36VDC) INPUT POWER
4	GND INPUT POWER
5	(+9 TO +36VDC) INPUT POWER
6	GND INPUT POWER
7	NC
8	NC
9	ETHERNET2 (1) TX+
10	ETHERNET2 (2) TX-
11	ETHERNET2 (3) RX+

PIN	DESCRIPTION
12	ETHERNET2 (6) RX-
13	NC
14	NC
15	ETHERNET1 (1) TX+
16	ETHERNET1 (2) TX-
17	ETHERNET1 (3) RX+
18	ETHERNET1 (6) RX-
19	DAY VIDEO CVBS SIGNAL
20	DAY VIDEO CVBS GND
21	THERMAL VIDEO CVBS SIGNAL
22	THERMAL VIDEO CVBS GND

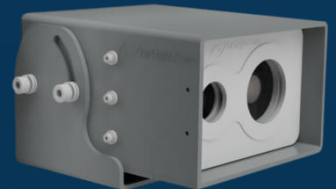
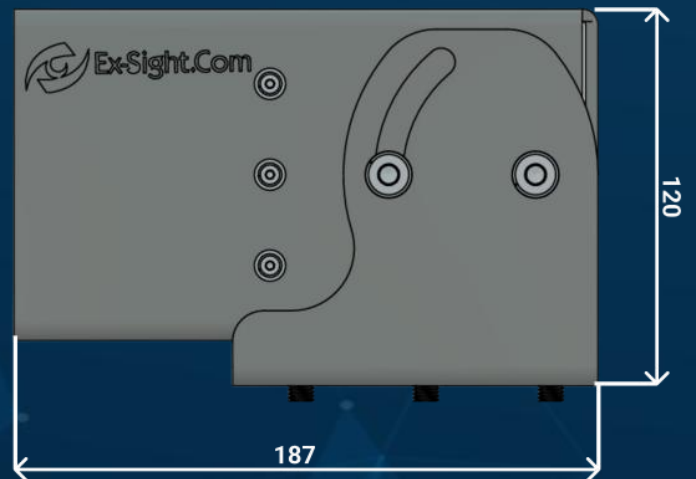
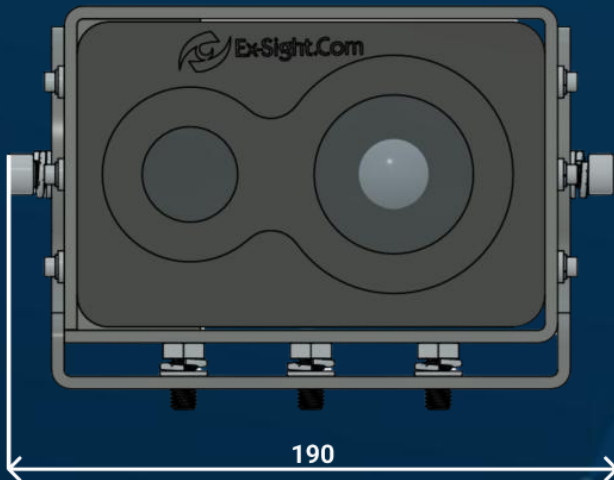
FUSION F640

DIMENSIONS

FUSION-F-BRKT-01



FUSION-F-BRKT-02



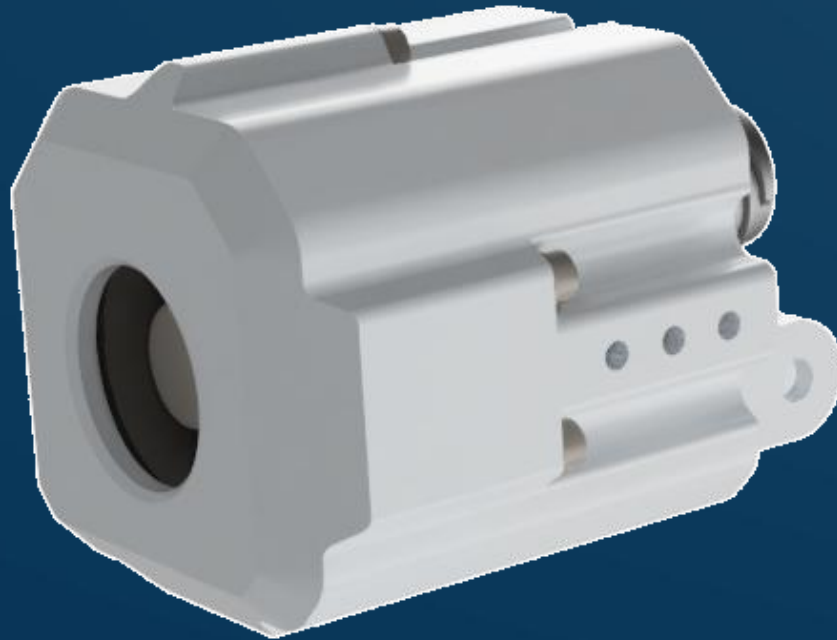


xEye

LOW LIGHT VISION SYSTEM

xEye is a ruggedized micro digital sensor that was created for superior low light vision scenarios

xEye is IP67, all-weather robust, light weight and unobtrusive. Resistant towards challenging environmental conditions, such as water damage, failure of electrical, mechanical, and optical components

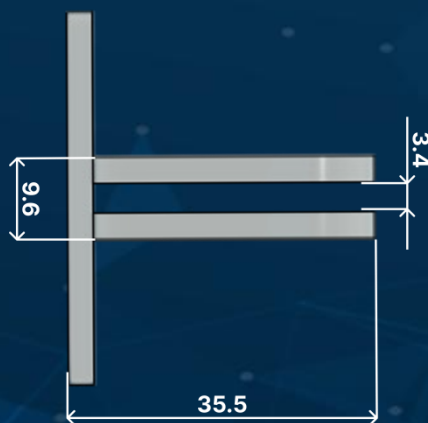
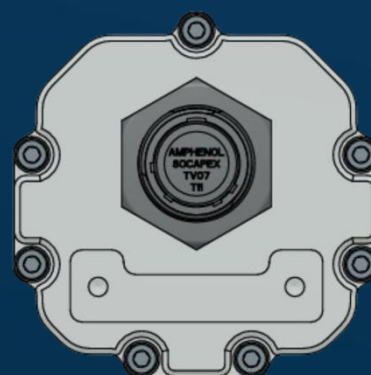
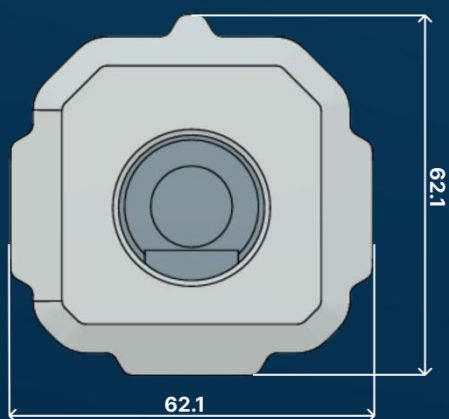
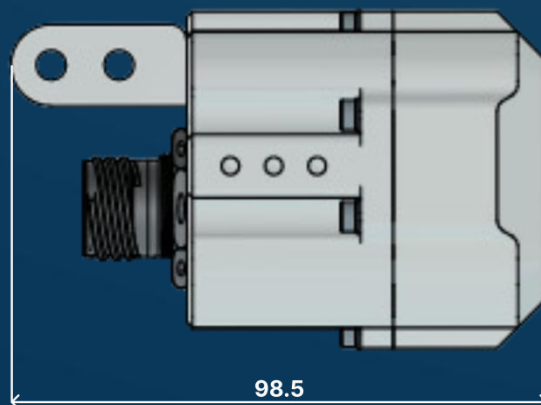
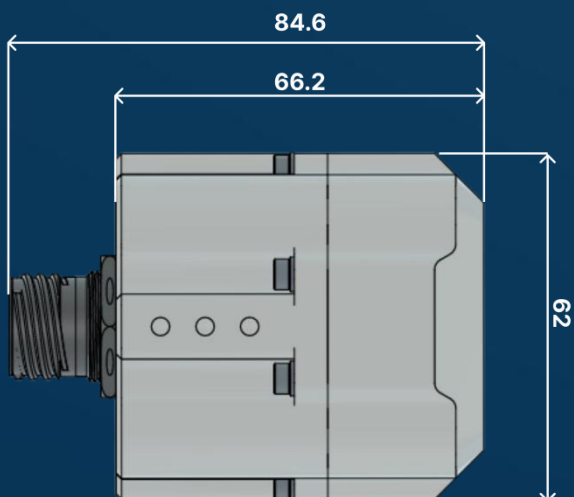


LOW LIGHT VISION SYSTEM

- 1/2.8" SONY IMX 327, FULL HD 1920x1080 pixels
- FRAME RATE 30 FPS, FULL HD + FULL D1 + CVBS ELECTRONIC SHUTTER SPEED 1/10000s to 1/25s
- Full-HD low light 1920x1080 sensors Lens 4mm , (H) 90° (V) 46°, 4mm DC DRIVE M12, Sapphire window
- Sensor daisy chain via Ethernet to save cabling
- 12VDC <2W MAX
- CVBS COMPOSITE VIDEO, ETHERNET (RTSP/HTTP/ONVIF)
- Optional SD card recording
- IP-67 Hermetic sealed chassis, Nitrogen purged, MIL.STD Hermetic connectors
- Operating temp -20°C to +80°C
- **Dimensions** (LxWxH, mm) 62x62x85
- **Weight** 270 gm

DIMENSIONS (LxWxH, mm) 62x62x85

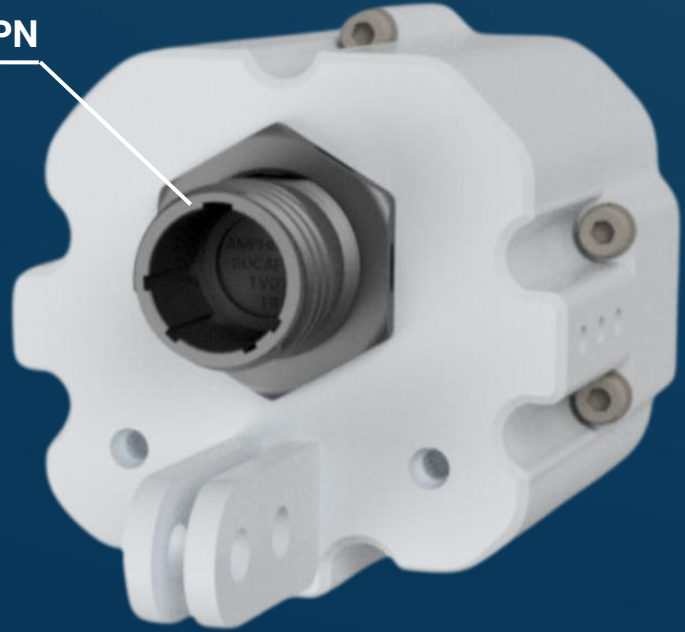
WEIGHT 352g



CONNECTION INTERFACE

1 D38999/24WB35PN

Mil. Std Stainless Steel connector



PANEL PIN LAYOUT D38999/24WB35PN CONNECTOR

PIN	+12VDC INPUT POWER
1	GND INPUT POWER
2	ETHERNET TX-P
3	ETHERNET TX-N
4	ETHERNET RX-P
5	NC
6	NC
7	NC
8	NC
9	NC
10	ETHERNET RX+ N
11	COMPOSITE VIDEO SIGNAL
12	COMPOSITE VIDEO GND
13	+12VDC INPUT POWER

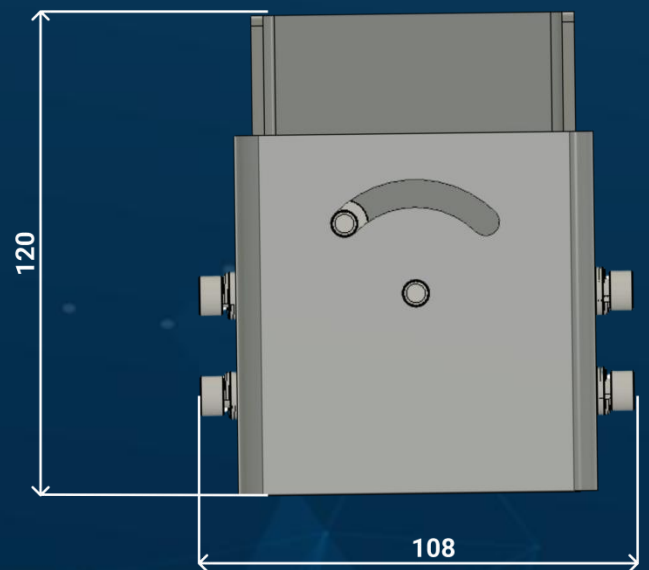
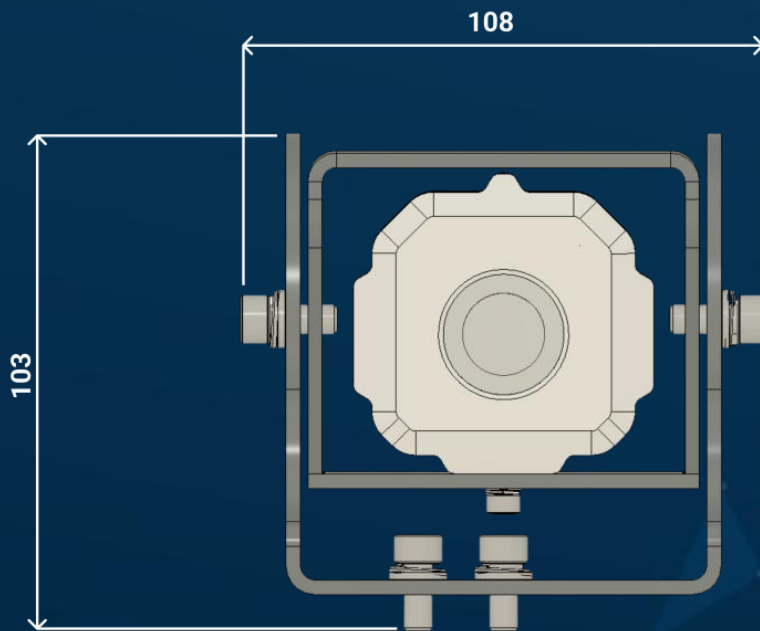
BRACKET DIMENSIONS

xEye-BRKT-M/MS

xEye-BRKT-[BT]

M MATTE BLACK RAL 9005 ALUMINUM
BRACKET

MS BLACK STEEL BRACKET





SIGHTDESK

REAL-TIME VIDEO MANAGEMENT SOFTWARE

- Digital Video Stream Management
- PTZ & LRF Control
- Geo-Positioning with pre-loaded route tracking
- INS Gyro Stabilization / EIS
- Video Analysis, ATR, Detection, Tracking & Classification on day / night channels
- Integrated Video Tracking Simulator
- Mapping
- Recording
- Tracking trainer / Simulator
- Integration with external resources, Drones, Radars
- Open Source C# SDK code available



Sales@Ex-Sight.com | www.Ex-Sight.com | +972-777-841-262