

## Remote Control Kit For USV/UGV

SHARVIT is a digital remote control system designed to control UGVs & USVs. It allows extensive situational awareness, mission planning and remote control capabilities over different UGV/USVs systems and Components.



**Versatile Ethernet based Communication**



**Remote Power Management:**  
Energy Distribution To UGV Devices



**Advanced & Extensive Interface:**  
Fast Interfacing To Existing UGVs



**Command & Control:**  
Manual, Remote, Autonomous



**Optional Autonomous Navigation**



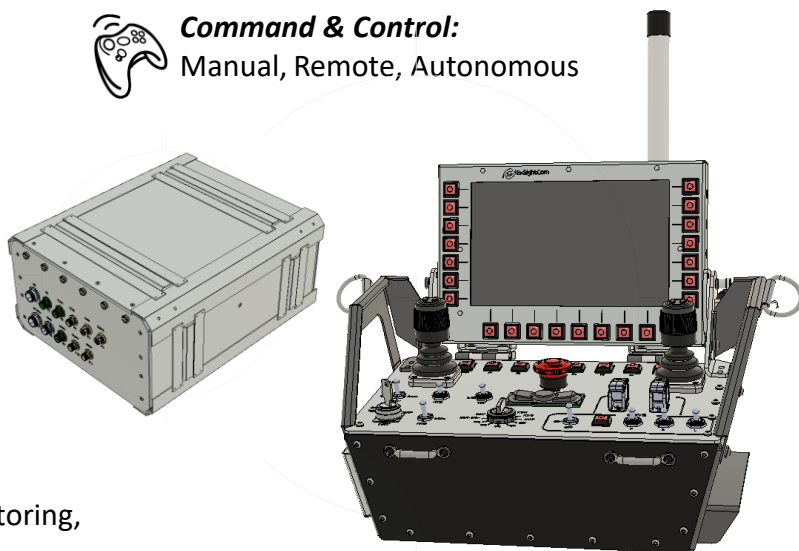
**Route Planning & Learning:**  
Route Acquisition Implementation



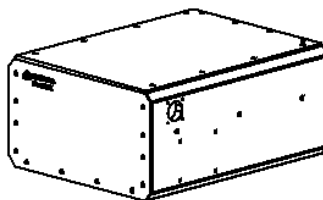
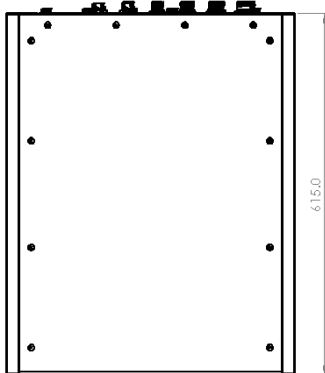
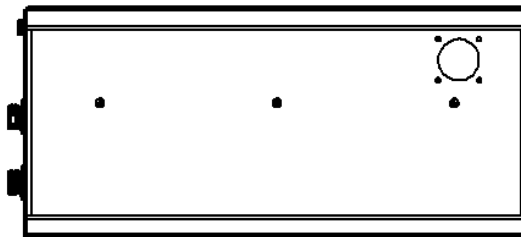
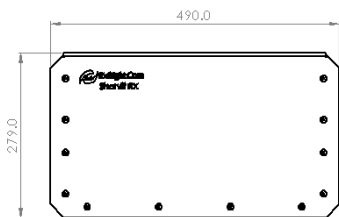
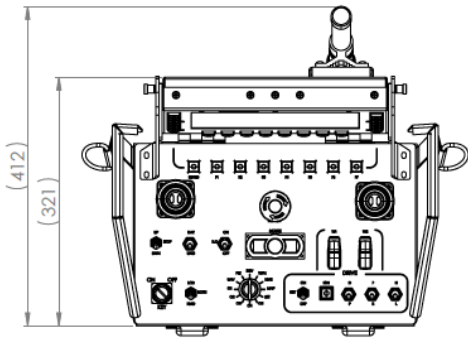
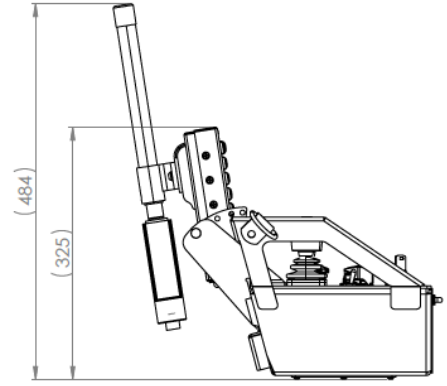
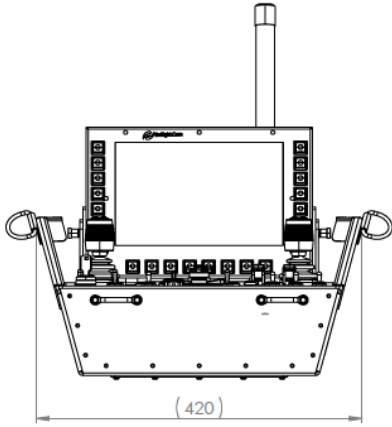
**Intelligence Overlay:**  
Threat Mapping & Detection



**Video Management:**  
Day & LWIR Observation, Video Monitoring,  
360° Situational Awareness



**DIMENSIONS (mm)**



## Versatile Advanced Remote Control

### TRANSMITTER

CPU	Core i7 64 bit 4600U
OS	Microsoft Windows 10
MEMORY	16GB/1TB SSD
DISPLAY	10.4" Touch Screen
MFD	22 Multi Function Programmable Display
FN KEYS	8 Buttons
MOUSE	Embedded with 2 buttons
RC FN	2 Joysticks, Mode Selector, Key Switch, ESTOP, Camera Control
BATTERY	15000 mAh
COMM	UI NANO STATION AC *5G CELLULAR MODEM
RANGE	Line of sight (10KM)
INS	VECTORNAV VN-200 INS Thermally calibrated
WAIST BELT	Belt Pouch + Shoulder Straps
Optional	Stereoscopic Head Mounte



## Versatile Advanced Remote Control

### RECEIVER

CPU	Core i7 64 bit 4600U
OS	Microsoft Windows 10
MEMORY	16GB/1TB SSD
DISPLAY	10.4"
COMM	UI NANO STATION AC *5G CELLULAR MODEM
RANGE	Line of sight (10KM)
INS	VECTORNAV VN-200 INS Thermally calibrated

