

SIGHT25-150

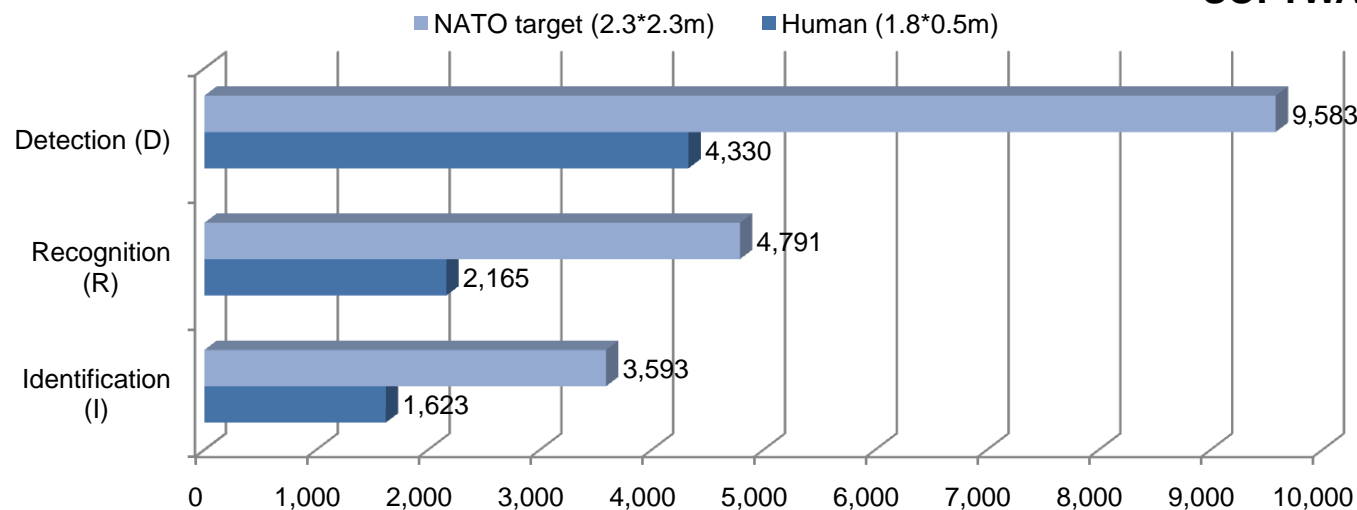
SIGHT is our cutting edge weapon sight which was specially developed for remote control Weapon systems (RCWS).

SIGHT is a multi sensor electro-optical payload designed for easy integration in remote controlled weapon stations and long range surveillance.

SIGHT25-150 SYSTEM INCLUDES

- DAY Sensor** Global Shutter x36 Zoom 59.0° to 2.4° FOV
- LWIR Sensor** 640x512 12µm 25-150mm Cont. x6 Zoom FOV 2.93°x2.34° to 17.5°x14°
- LRF** 8.6 KM NATO TARGET, 0.5-0.01m PRECISION
- PSU** 9-40 VDC MIL-STD-461; MIL-STD-1275; MIL-STD-704
- CHASSIS** RAL 7004, Nitrogen purged, MIL.STD, CNC aluminum with hermetic D38999 Stainless Steel connector
Internal Ethernet Switch
- INTERFACE** Ethernet, ONVIF, RTSP
- SOFTWARE** Ex-Sight Application, SDK Open Source C#

SIGHT25-150 DRI LWIR (meters)



Calculation according to Johnson Criteria at 150mm == 2.93°x2.34° FOV

SIGHT SYSTEM SPECIFICATION



SIGHT25-150

HD GLOBAL SHUTTER X36 DAY SENSOR

1/2.8" 2MP PROGRESSIVE SCAN GLOBAL SHUTTER
CMOS, 1600X1300@60FPS/30FPS, H.265/H264 COMPRESSION,
LENS F=4.5MM~162MM, OPTICAL ZOOM 36X, F1.5 (WIDE)~F4.0
(TELE), ICR, PRIVACY MASK FUCTION, HIGH LIGHT
COMPENSATION, WDR/BLC/HLC/AGC/3D-DNR, ZOOM SPEED
APPROXIMATELY 3.5S (OPTICAL LENS, WIDE TO TELE), COLOR:0.001 LUX
@(F1.5,AGC ON); B/W:0.0005LUX @(F1.5,AGC ON), SHUTTER 1/25S TO
1/100,000S, ANGLE OF VIEW (D, H, V) 59.0° ~ 2.4° (WIDE~TELE), MOTION
DETECTION / DEFOG FUNCTION, SUPPORTS VISCA, ONVIF, PELCO
PROTOCOL, VIDEO OUT IP
SAPPHIRE WINDOW

UNCOOLED LWIR SENSOR

RESOLUTION 640X512 PIXEL, 12µM PIXEL PITCH,
FRAME RATE 50HZ, SPECTRAL BAND 8~4µM, NETD≤25MK@25°C, F#1.4.
BRIGHTNESS AND CONTRAST ADJUSTMENT, IMAGE PROCESSING:
NUC/DNR/DDE, ANALOG VIDEO OUTPUT 1-CHANNEL PAL/NTSC
LWIR LENS 25~150MM CONT. ZOOM AUTOFOCUS LENS / F1.4
640*512, 12µM

CONNECTION INTERFACE

HERMETIC TYPE C: D38999/23YE35PN,
VIDEO OUT DAY: PAL+HD-SDI , VIDEO OUT LWIR: PAL , CONTROL: RS-422

PSU (POWER SUPPLY UNIT)

INPUT VOLTAGE 9 TO 40VDC, 120W MAX.
MIL-STD-461; MIL-STD-1275; MIL-STD-704

ENVIRONMENTAL

IP-67, NITROGEN PURGED, HERMETIC SEALED, ALUMINUM CHASSIS
(6061) STAINLESS STEEL SCREWS (N316)

32KM LRF (LASER RANGE FINDER)

EYE SAFE 8.6KM NATO TARGET, 0.5-0.01M PRECISION, 0.6 MRAD BEAM
DIVERGENCE, 1M RESOLUTION, TARGET DISCRIMINATION
<30M, ALIGNMENT POINTER, SAPPHIRE WINDOW

PART NUMBERING

SLA-640-150-36

SLA-[RES]-[LENS]-[ZOOM-DS]-[LRF]

[RES] LWIR RESOLUTION

640 (LWIR 640x512 , 5.8mm)

[LENS] LWIR LENS

150 Focal Length 25mm~150mm

[ZOOM-DS] ZOOM DAY SENSOR

36x Optical Zoom

[LRF] LRF

Blank - No LRF

LRF1 - LRX-20A 32Km

LRF2 - LR6000 6Km

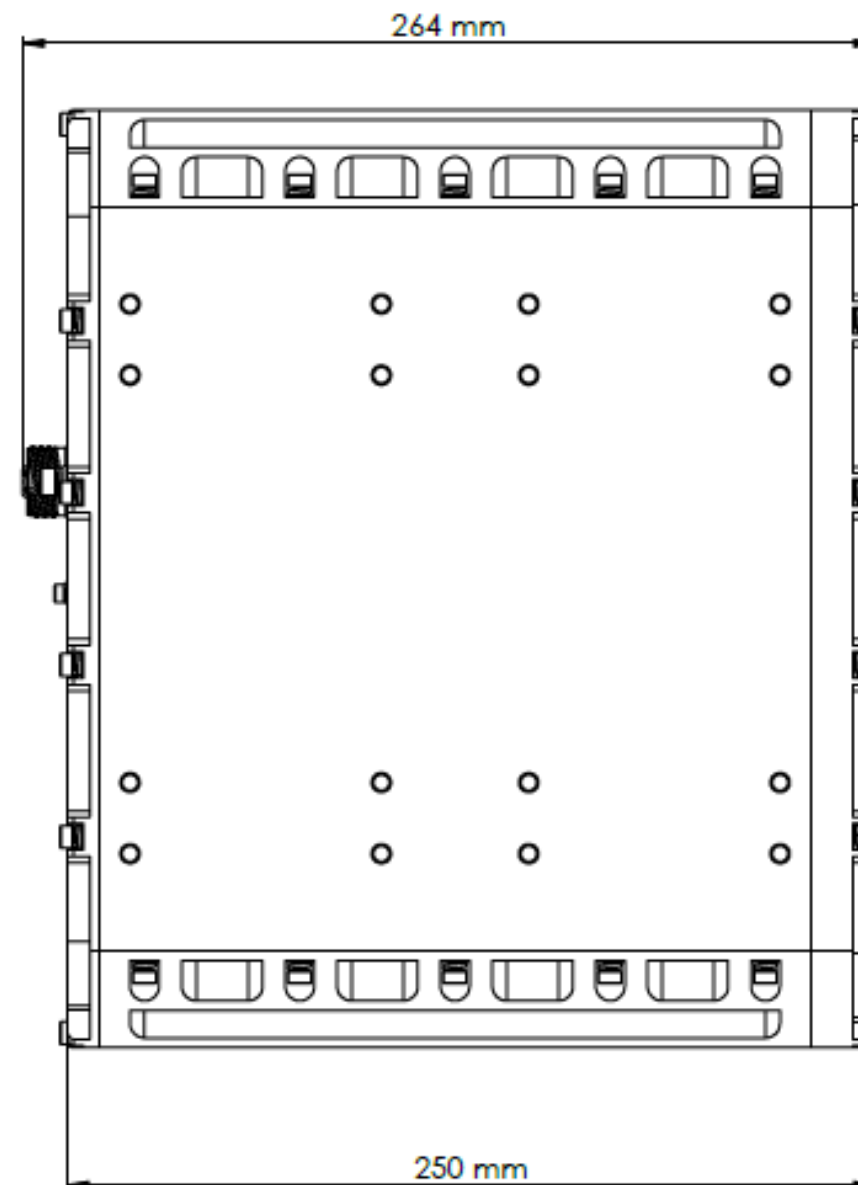
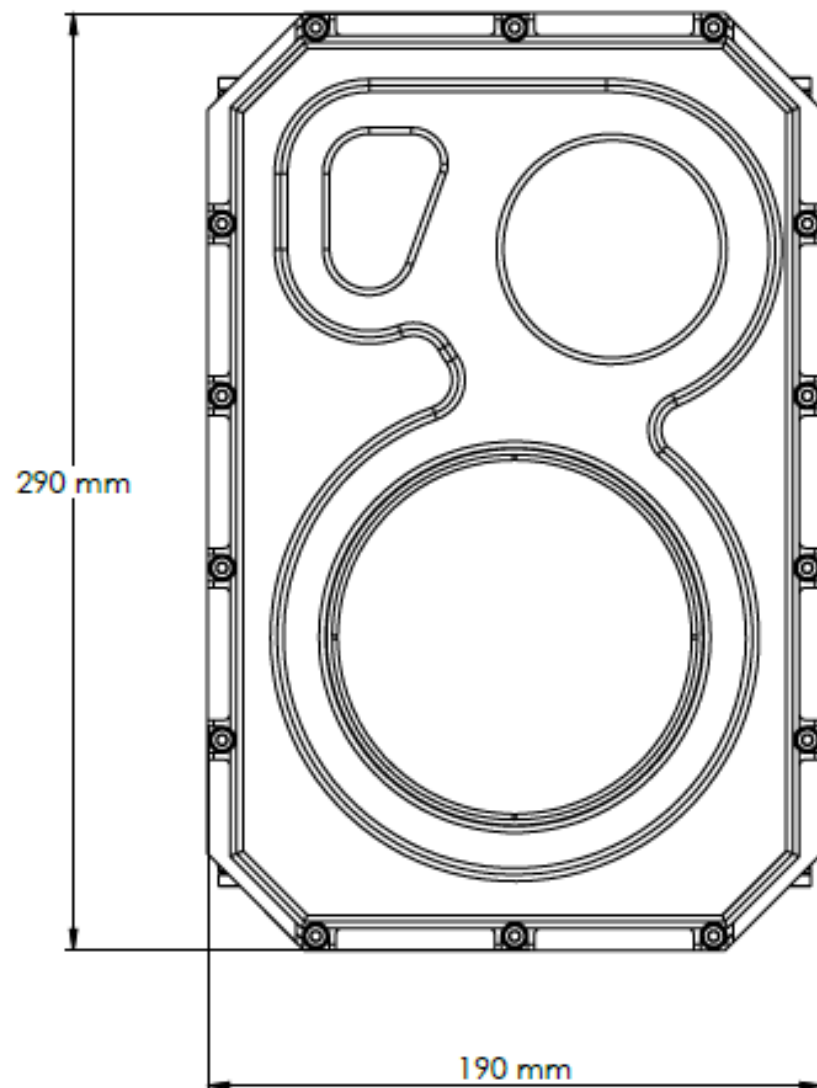
SYSTEM OVERVIEW

DIMENSIONS

LxWxH (mm) 290x190x264 mm, WEIGHT 9,000 gm



SIGHT25-150

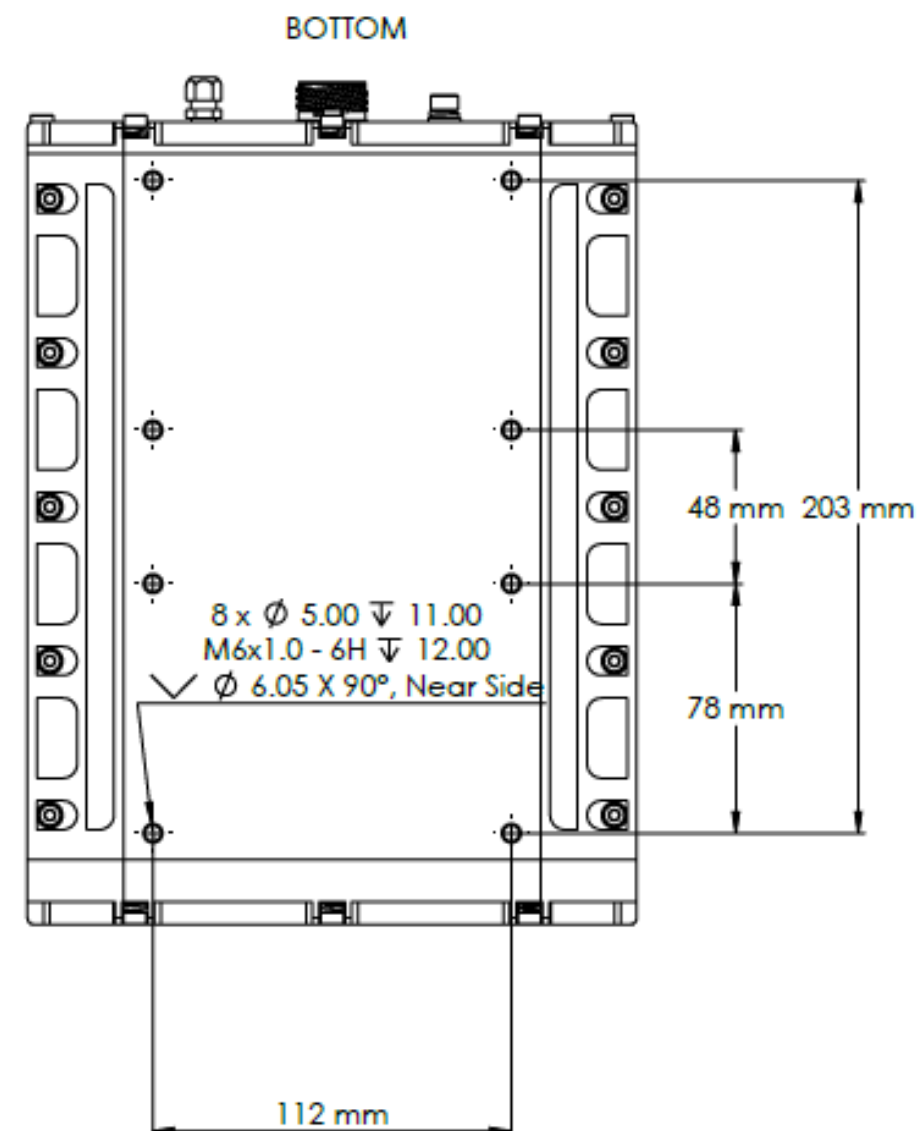
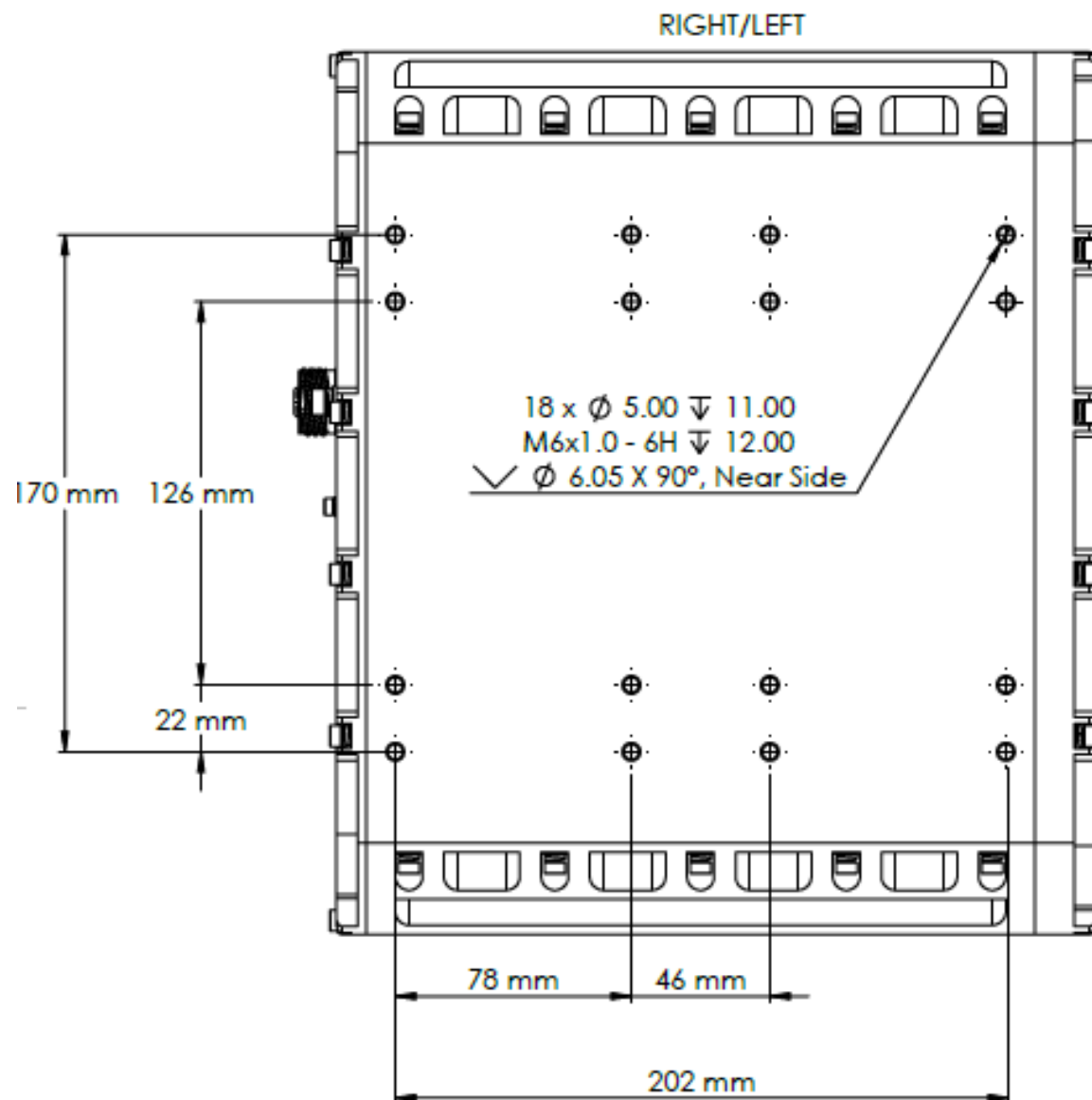


SYSTEM OVERVIEW

MOUNTING THREADS



SIGHT25-150



SYSTEM OVERVIEW



SIGHT25-150

PART NUMBERING INDEX

#	P/N	DESCRIPTION
1	D38999/23YE35PN	Mil. Std Stainless Steel connector
2	MS51377-2 MS51607-1 MS20813-1	Nitrogen Valve Core Nitrogen MS Valves Nitrogen Fitting
3	M5x10 Screw, Socket Head	Ground screw
4	M3x6 Screw, Socket Head	Security cable Screw
5	MS3212-25	Nitrogen self locking screw military



PANEL PIN LAYOUT

D38999/23YC35PN

Stainless Steel Hermetic Connector

PIN#	DESCRIPTION
1	NC
2	NC
3	(+9 TO +36VDC) INPUT POWER
4	GND INPUT POWER
5	(+9 TO +36VDC) INPUT POWER
6	GND INPUT POWER
7	NC
8	NC
9	ETHERNET2 (1) TX+
10	ETHERNET2 (2) TX-
11	ETHERNET2 (3) RX+
12	ETHERNET2 (6) RX-
13	NC
14	NC
15	ETHERNET1 (1) TX+
16	ETHERNET1 (2) TX-
17	ETHERNET1 (3) RX+
18	ETHERNET1 (6) RX-
19	NC
20	NC
21	NC
22	NC





SIGHT25-150

Johnson Criteria

12.0micron		
Detector Size	640	512

Detection	Recognition	Identification	
Lines	3	6	8

Optics Focal Length in mm	IFOV Rad	HFOV Deg	VFOV Deg	Diagonal	Nato Target Size (m)			Human Target Size (m)		
					2.3	2.3		1.8	0.6	
					Nato Target			Human Target		
					Detection in meters	Recognition in meters	Identify in meters	Detection in meters	Recognition in meters	Identify in meters
20	0.000600	21.7	16.3	27.2	1277.8	638.9	479.2	577.4	288.7	216.5
40	0.000300	11.0	8.2	13.7	2555.6	1277.8	958.3	1154.7	577.4	433.0
50	0.000240	8.8	6.6	11.0	3194.4	1597.2	1197.9	1443.4	721.7	541.3
60	0.000200	7.3	5.5	9.2	3833.3	1916.7	1437.5	1732.1	866.0	649.5
70	0.000171	6.3	4.7	7.9	4472.2	2236.1	1677.1	2020.7	1010.4	757.8
80	0.000150	5.5	4.1	6.9	5111.1	2555.6	1916.7	2309.4	1154.7	866.0
90	0.000133	4.9	3.7	6.1	5750.0	2875.0	2156.3	2598.1	1299.0	974.3
100	0.000120	4.4	3.3	5.5	6388.9	3194.4	2395.8	2886.8	1443.4	1082.5
150	0.000080	2.9	2.2	3.7	9583.3	4791.7	3593.8	4330.1	2165.1	1623.8
180	0.000067	2.4	1.8	3.1	11500.0	5750.0	4312.5	5196.2	2598.1	1948.6
225	0.000053	2.0	1.5	2.4	14375.0	7187.5	5390.6	6495.2	3247.6	2435.7
260	0.000046	1.7	1.3	2.1	16611.1	8305.6	6229.2	7505.6	3752.8	2814.6
300	0.000040	1.5	1.1	1.8	19166.7	9583.3	7187.5	8660.3	4330.1	3247.6
340	0.000035	1.3	1.0	1.6	21722.2	10861.1	8145.8	9815.0	4907.5	3680.6
380	0.000032	1.2	0.9	1.4	24277.8	12138.9	9104.2	10969.7	5484.8	4113.6
420	0.000029	1.0	0.8	1.3	26833.3	13416.7	10062.5	12124.4	6062.2	4546.6
460	0.000026	1.0	0.7	1.2	29388.9	14694.4	11020.8	13279.1	6639.5	4979.6
500	0.000024	0.9	0.7	1.1	31944.4	15972.2	11979.2	14433.8	7216.9	5412.7
540	0.000022	0.8	0.6	1.0	34500.0	17250.0	12937.5	15588.5	7794.2	5845.7
550	0.000022	0.8	0.6	1.0	35138.9	17569.4	13177.1	15877.1	7938.6	5953.9